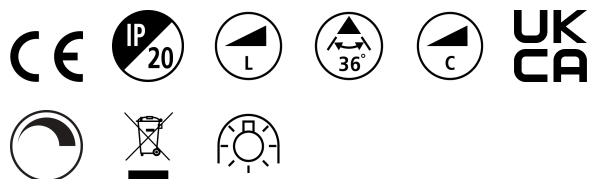


# REFLED SUPERIA RETRO ES50 V5 345LM DIM 930 36 SL5

Code article 0030723

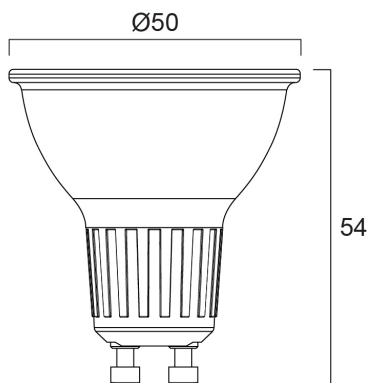
**SYLVANIA**



Premium performance professional LED GU10 range with the same look and feel of traditional halogen GU10 lamp. Recreates backlight effect similar to halogen dichroic lamps. Full glass design - means no colours clashing between lamp and fixture. Very long lifetime of up to 25,000 hours. COOLFIT functionality – ensures overheat and over temperature protection. High switching cycles: >100,000. High colour rendering: CRI90. Dimmable. Warranty: 5 Years

## Atouts techniques

### Dimensions (mm)



### Photométrie

# REFLED SUPERIA RETRO ES50 V5 345LM DIM 930 36 SL5

Code article 0030723

**SYLVANIA**

## Données générales

Nom du produit	REFLED SUPERIA RETRO ES50 V5 345LM DIM 930 36 SL5
Technologie	LED
Lamp shape	Reflector
Cap/Base	GU10
Lamp finish	Fresnel lens
Built in presence detector	NONE
Fixture rating	Open
General application	Education, Hospitality, Museums & Galleries, Office, Residential & Consumer, Retail
Operating temperature range (°C)	-20°C...+50°C
Virtual assistant compatibility	N/A
ETIM Class	EC001959
Warranty	5 ans

## Données optiques

Useful luminous flux (Φuse)	345
Température de couleur (K)	3000
Couleur de lumière	Warm White
IRC (Ra)	90
Colour Variation Initial (SDCM)	SDCM6
Luminous Intensity (cd)	600
Beam Angle (°)	36
Photobiological Risk Group	RG1

## Caractéristiques électriques

Power consumption (W)	3.6
Wattage (W)	3.7
Equivalent watt (W)	50
Actuel (A)	0.034
Primary Supply/Product voltage - min (V)	220.0
Primary Supply/Product voltage - max (V)	240.0
Control gear required	No
Type d'appareillage	LED driver constant current
No. Of switching cycles before premature failures	>50000
Dimmable	Yes
Dimming method	Mains: leading / trailing edge
Courant d'appel (A)	2.3
Inrush Duration (µs)	273
Lamp Energy Label (class)	E
Nominal Frequency (Hz)	50/60Hz

## Durée de vie

Lifespan L70 B50	25000
------------------	-------

## Données physiques

Housing colour	Transparent
IP rating	IP20
Nominal Product Height (mm)	54
Nominal Product Diameter (mm)	50
Poids (kg)	0.19

# REFLED SUPERIA RETRO ES50 V5 345LM DIM 930 36 SL5

Code article 0030723

**SYLVANIA**

## Emballage

Product EAN number	5410288307237
Longueur simple de l'emballage (cm)	19.5
Largeur simple de l'emballage (cm)	5.0
Packaging single depth (cm)	8.1
DUN14 (inner)	15410288307234
Units per outer package	6
Packaging outer length / height (cm)	32.3
Packaging outer width (cm)	20.2
Packaging outer depth (cm)	9.2

## Sécurité

Condition de fonctionnement optimal (° C)	-20-50
Consignes de nettoyage en cas de bris	Not applicable
Lampe à objectif spécial	No
Utilisation pour applications sèches uniquement	Yes
Ne convient pas à l'éclairage résidentiel	Yes
Safety message	Dimmable with approved dimmers