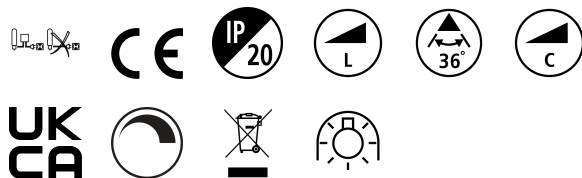


RefLED Superia Retro MR16 V3 621LM DIM 827 36 SL

Code article 0031821

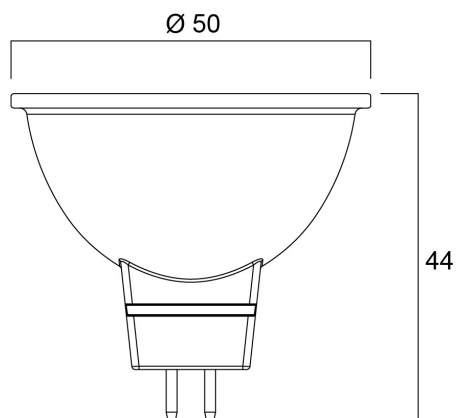
SYLVANIA



Premium performance professional LED MR16 range with the same look and feel of traditional halogen MR16 lamp. Recreates backlight effect similar to halogen dichroic lamps. Full glass design - means no colours clashing between lamp and fixture. Very long lifetime of up to 25,000 hours. Switching cycles: >100,000. Colour rendering: CRI80. Lamp voltage: 12V AC/DC. Dimmable on approved dimmers. Works with magnetic and compatible electronic transformers. Warranty: 5 Years

Atouts techniques

Dimensions (mm)



Photométrie

RefLED Superia Retro MR16 V3 621LM DIM 827 36 SL

Code article 0031821

SYLVANIA

Données générales

Nom du produit	RefLED Superia Retro MR16 V3 621LM DIM 827 36 SL
Technologie	LED
Puissance (nominale) (W)	6.1
Lamp shape	Reflector
Cap/Base	GU5.3
Lamp finish	Fresnel lens
Built in presence detector	NONE
Fixture rating	Open
General application	Education, Hospitality, Museums & Galleries, Office, Residential & Consumer, Retail
Virtual assistant compatibility	N/A
ETIM Class	EC001959
Numéro virtuel FI	4741253
Warranty	5 ans

Données optiques

Useful luminous flux (Φ_{use})	621
Température de couleur (K)	2700
Couleur de lumière	Homelight
IRC (Ra)	80
Colour Variation Initial (SDCM)	SDCM6
Luminous Intensity (cd)	1100
Beam Angle (°)	36
Photobiological Risk Group	RG1

Caractéristiques électriques

Power consumption (W)	6.1
Wattage (W)	6.1
Equivalent watt (W)	50
Actuel (A)	0.7
Primary Supply/Product voltage - min (V)	12.0
Primary Supply/Product voltage - max (V)	12.0
Control gear required	Yes
Type d'appareillage	LED driver constant current
No. Of switching cycles before premature failures	>50000
Dimmable	Yes
Dimming method	Mains: leading / trailing edge
Courant d'appel (A)	3.68
Inrush Duration (μ s)	880
Lamp Energy Label (class)	E
Nominal Frequency (Hz)	50/60/HF

Durée de vie

Lifespan L70 B50	25000
------------------	-------

Données physiques

Housing colour	Transparent
IP rating	IP20
Nominal Product Height (mm)	44
Nominal Product Diameter (mm)	50
Poids (kg)	0.041

RefLED Superia Retro MR16 V3 621LM DIM 827 36 SL

Code article 0031821

SYLVANIA

Emballage

Product EAN number	5410288318219
Longueur simple de l'emballage (cm)	6.1
Largeur simple de l'emballage (cm)	5.1
Packaging single depth (cm)	8.2
DUN14 (inner)	15410288318216
Units per inner package	6
Packaging inner length / height (cm)	19.4
Packaging inner width (cm)	11.1
Packaging inner depth (cm)	9.2
DUN14 (outer)	25410288318213
Units per outer package	60
Packaging outer length / height (cm)	58.5
Packaging outer width (cm)	20.8
Packaging outer depth (cm)	20.8

Sécurité

Consignes de nettoyage en cas de bris	Not applicable
Lampe à objectif spécial	No
Utilisation pour applications sèches uniquement	Yes
Ne convient pas à l'éclairage résidentiel	Yes
Safety message	Suitable for approved transf./dimmers