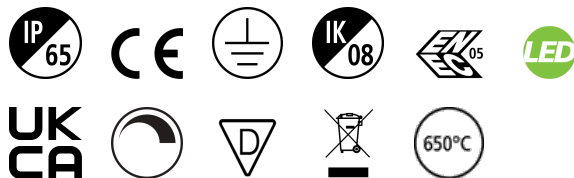


START Highbay IP65 1-10V 26000lm 840 WB

Code article 0039349

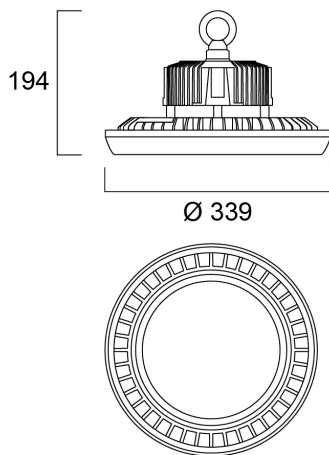
SYLVANIA



START Highbay, includes 1 m cables, black aluminium housing, 26,000 Lm, 200 W, 130 Lm/W, 4000 K, drive current: 5000 mA, CRI 80, 90° beam angle, 1-10 V dimmable, IP65, IK08, 54,000 hrs (L80/B50), (D x H) 339 x 194 mm, 1 m mains cable, 1 m control cable, 1.2 m chain length including hooks

Atouts techniques

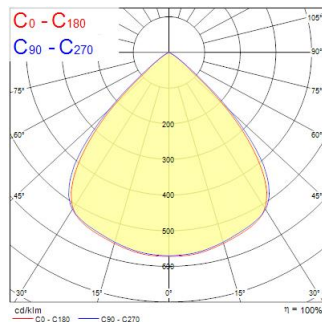
Dimensions (mm)



Photométrie

Distance [m]	Cone diameter [m]	Beam diameter [m]	Beam diameter [m]	Illuminance [lx]
0.5	0.99 0.99	0.99	0.99	34730 10075 10629
1.0	1.97 1.90	1.90	1.90	13611 2919 2687
1.5	2.96 2.86	2.86	2.86	6079 1100 1101
2.0	3.94 3.81	3.81	3.81	3419 630 664
2.5	4.93 4.76	4.76	4.76	2188 403 421
3.0	5.92 5.71	5.71	5.71	1520 280 296

Distance [m] Cone diameter [m] Illuminance [lx]
 — C0 - C180 (Half beam angle: 87.2°)
 — C90 - C270 (Half beam angle: 89.2°)



START Highbay IP65 1-10V 26000lm 840 WB

Code article 0039349

SYLVANIA

Données générales

Nom du produit	START Highbay IP65 1-10V 26000lm 840 WB
Technologie	LED
Housing	Aluminium
Montage	Suspended
Fixture rating	Enclosed
General application	Logistics & Industry
Operating temperature range (°C)	-30°C...+50°C
Performance ambient temperature Tq (°C)	25
ETIM Class	EC001716
Numéro virtuel FI	4306963
Numéro virtuel SE	7214417
Warranty	5 ans

Données optiques

Fixture luminous flux (lm)	26000
Luminaire efficacy (lm/W)	130
Température de couleur (K)	4000
Couleur de lumière	Neutral White
IRC (Ra)	80
Colour Variation Initial (SDCM)	SDCM6
Beam Angle (°)	90
Glare control	< 25
Photobiological Risk Group	RG1

Caractéristiques électriques

Consommation électrique totale (W)	200
Lamp power factor	0.95
THD (at 230 V, 50 Hz, full load, at 100% dimming level) ≤ xx.x %	10
Electrical protection	Class I
Type d'appareillage	Other
Dimmable	Yes
Dimming method	1-10V (Analogue)
Minimum dimming level (%)	1
Drive current (mA)	5000
Courant d'appel (A)	60
Inrush Duration (µs)	300
Nominal Frequency (Hz)	50/60Hz
LED Flickering Rate	Ultra low (5% or less)
Max. products per 10A C Breaker	6
Max. products per 13A C Breaker	8
Max. products per 16A C Breaker	9
Max. products per 20A C Breaker	10
Max. products per 10A B Breaker	3
Max. products per 13A B Breaker	4
Max. products per 16A B Breaker	5
Max. products per 20A B Breaker	7

Durée de vie

Lifespan L70 B50	54000
Lifespan L70 B20	54000
Lifespan L70 B10	54000
Lifespan L80 B50	54000
Lifespan L80 B20	54000
Lifespan L80 B10	54000
Lifespan L90 B50	54000
Lifespan L90 B20	54000
Lifespan L90 B10	50000

START Highbay IP65 1-10V 26000lm 840 WB

Code article 0039349

SYLVANIA

Données physiques

Housing colour	Black
IP rating	IP65
IK rating	IK08
Diffuser finish	Transparent
Diffuser material	PC Polycarbonate
Longueur (mm)	339
Largeur (mm)	339
Nominal Product Height (mm)	194
Nominal Product Diameter (mm)	339
Poids (kg)	3.7

Emballage

Product EAN number	5410288393490
Longueur simple de l'emballage (cm)	40.0
Largeur simple de l'emballage (cm)	40.0
Packaging single depth (cm)	18.7
DUN14 (inner)	05410288393490
Units per outer package	1
Packaging outer length / height (cm)	40.0
Packaging outer width (cm)	40.0
Packaging outer depth (cm)	18.7

Sécurité

Glow Wire Test (°C)	650
Condition de fonctionnement optimal (° C)	-30-50