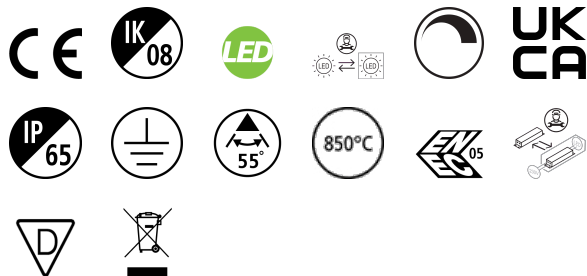


Granit IP65 0-10V 31000lm 840 MB

Code article 0039601

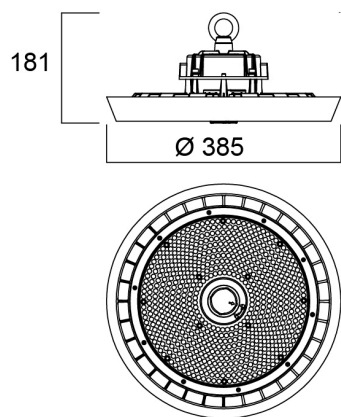
SYLVANIA



Integrated LED highbay; Black aluminium housing; 31000lm; 220 W; 141 Lm/W; 4000K; Drive current: 860mA; CRI 80; 55° beam angle; 0-10V dimmable; IP65; IK08; Lifespan L80:B50 90,000 hrs; (D x H) 385 x 181 mm; 1.5 m mains cable; 1.5 m control cable; 1.2 m chain length including hooks.

Atouts techniques

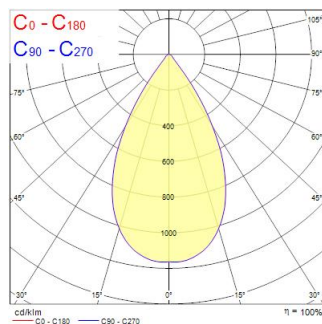
Dimensions (mm)



Photométrie

Distance [m]	Cone diameter [m]	Beam diameter [m]	Illuminance [lx]
0.5	0.55	0.71	191207
		E/C0	28.7°
		E/C0	8563
1.0	1.09	0.71	9702
		E/C0	28.7°
		E/C0	12911
1.5	1.64	0.71	6810
		E/C0	28.7°
		E/C0	8700
2.0	2.19	0.71	5105
		E/C0	28.7°
		E/C0	3220
2.5	2.74	0.71	4021
		E/C0	28.7°
		E/C0	2080
3.0	3.28	0.71	3202
		E/C0	28.7°
		E/C0	1480

Distance [m] Cone diameter [m] Illuminance [lx]
C0 - C180 (Half beam angle: 57.4°)



Granit IP65 0-10V 31000lm 840 MB

Code article 0039601

SYLVANIA

Données générales

Nom du produit	Granit IP65 0-10V 31000lm 840 MB
Technologie	LED
Housing	Aluminium
Montage	Suspended
Fixture rating	Enclosed
General application	Logistics & Industry
Operating temperature range (°C)	-30°C...+50°C
Performance ambient temperature Tq (°C)	25
ETIM Class	EC001716
Numéro virtuel FI	4357011
Warranty	5 ans

Données optiques

Fixture luminous flux (lm)	31000
Luminaire efficacy (lm/W)	141
Température de couleur (K)	4000
Couleur de lumière	Neutral White
IRC (Ra)	80
Colour Variation Initial (SDCM)	SDCM3
Beam Angle (°)	55
Glare control	< 22
Photobiological Risk Group	RG1

Caractéristiques électriques

Consommation électrique totale (W)	220
Primary Supply/Product voltage - min (V)	220
Primary Supply/Product voltage - max (V)	240
Lamp power factor	1
THD (at 230 V, 50 Hz, full load, at 100% dimming level) ≤ xx.x %	10
Electrical protection	Class I
Type d'appareillage	LED driver constant current
Dimmable	Yes
Dimming method	0-10V
Drive current (mA)	860
Courant d'appel (A)	99.2
Inrush Duration (µs)	220
Energy Efficiency Class (A->G) of contained light source	E
Nominal Frequency (Hz)	50/60Hz
LED Flickering Rate	Ultra low (5% or less)
Max. products per 10A C Breaker	6
Max. products per 13A C Breaker	8
Max. products per 16A C Breaker	10
Max. products per 20A C Breaker	13
Max. products per 10A B Breaker	4
Max. products per 13A B Breaker	5
Max. products per 16A B Breaker	6
Max. products per 20A B Breaker	8

Durée de vie

Lifespan L80 B50	90000
Lifespan L80 B20	70000
Lifespan L80 B10	65000
Lifespan L90 B50	45000

Granit IP65 0-10V 31000lm 840 MB

Code article 0039601

SYLVANIA

Données physiques

Housing colour	Black
IP rating	IP65
IK rating	IK08
Diffuser finish	Transparent
Diffuser material	PC Polycarbonate
Nominal Product Height (mm)	181
Nominal Product Diameter (mm)	385
Poids (kg)	4.77

Emballage

Product EAN number	5410288396019
Longueur simple de l'emballage (cm)	44.5
Largeur simple de l'emballage (cm)	44.5
Packaging single depth (cm)	19.5
DUN14 (inner)	05410288396019
Units per outer package	1
Packaging outer length / height (cm)	44.5
Packaging outer width (cm)	44.5
Packaging outer depth (cm)	19.5

Sécurité

Glow Wire Test (°C)	850
Condition de fonctionnement optimal (° C)	-30-50