

START Highbay IP65 10000lm 840 WB

Code article 0039614

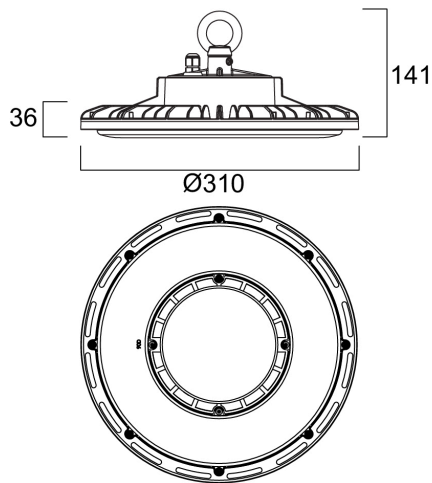
SYLVANIA



Integrated LED highbay; White aluminium housing; 10350Lm; 90W; 115Lm/W; 4000K; Drive current: 480mA; CRI 80; 95° beam angle; IP65; IK08; Lifespan L70:B50 90,000 hrs; (D x H) 310 x 141 mm; D-mark.

Atouts techniques

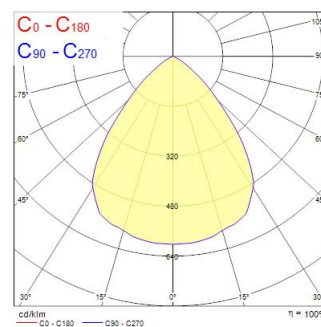
Dimensions (mm)



Photométrie

Distance [m]	Cone diameter [m]	Beam angle [°]	Beam angle [°]	Illuminance [lx]
0.5	0.87	95°	41.0°	2273 467
1.0	1.74	95°	41.0°	570 123
1.5	2.61	95°	41.0°	253 53
2.0	3.48	95°	41.0°	143 30
2.5	4.35	95°	41.0°	93 19
3.0	5.22	95°	41.0°	63 13

Distance [m] Cone diameter [m] Illuminance [lx]
C0 - C180 (Half beam angle: 82.0°)



START Highbay IP65 10000lm 840 WB

Code article 0039614

SYLVANIA

Données générales

Nom du produit	START Highbay IP65 10000lm 840 WB
Technologie	LED
Cap/Base	N/A
General application	Logistics & Industry
Operating temperature range (°C)	-20°C...+45°C
Performance ambient temperature Tq (°C)	25
ETIM Class	EC001716
Numéro virtuel FI	4357083
Warranty	5 ans

Données optiques

Fixture luminous flux (lm)	10350
Luminaire efficacy (lm/W)	115
Température de couleur (K)	4000
Couleur de lumière	Neutral White
IRC (Ra)	80
Colour Variation Initial (SDCM)	SDCM5
Beam Angle (°)	90
Photobiological Risk Group	RG1

Caractéristiques électriques

Consommation électrique totale (W)	90
Primary Supply/Product voltage - min (V)	220
Primary Supply/Product voltage - max (V)	240
Lamp power factor	1
THD (at 230 V, 50 Hz, full load, at 100% dimming level) ≤ xx.x %	10
Electrical protection	Class I
Dimmable	No
Dimming method	N/A
Drive current (mA)	480
Courant d'appel (A)	80
Inrush Duration (µs)	700
Energy Efficiency Class (A->G) of contained light source	E
Nominal Frequency (Hz)	50/60Hz
LED Flickering Rate	Ultra low (5% or less)
Max. products per 10A C Breaker	16
Max. products per 13A C Breaker	22
Max. products per 16A C Breaker	27
Max. products per 20A C Breaker	33
Max. products per 10A B Breaker	10
Max. products per 13A B Breaker	13
Max. products per 16A B Breaker	16
Max. products per 20A B Breaker	20

Durée de vie

Lifespan L70 B50	90000
Lifespan L80 B20	62000

START Highbay IP65 10000lm 840 WB

Code article 0039614

SYLVANIA

Données physiques

Housing colour	RAL 9006 - Aluminium
IP rating	IP65
IK rating	IK08
Nominal Product Height (mm)	141
Nominal Product Diameter (mm)	310
Poids (kg)	2.1

Emballage

Product EAN number	5410288396149
Longueur simple de l'emballage (cm)	32.5
Largeur simple de l'emballage (cm)	32.5
Packaging single depth (cm)	13.0
DUN14 (inner)	05410288396149
Units per outer package	1
Packaging outer length / height (cm)	32.5
Packaging outer width (cm)	32.5
Packaging outer depth (cm)	13.0

Sécurité

Glow Wire Test (°C)	850
Condition de fonctionnement optimal (° C)	-20-45