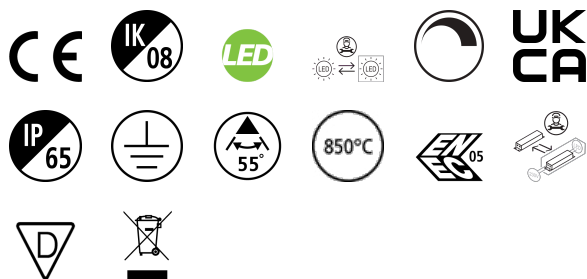


Granit IP65 DALI 13000lm 840 MB

Code article 0039617

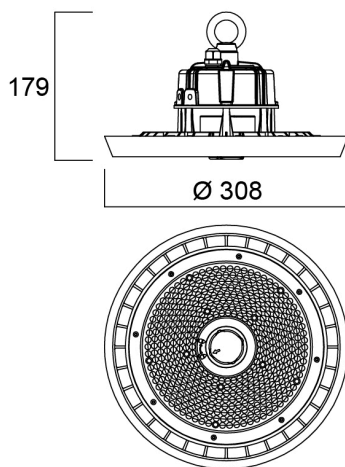
SYLVANIA



Integrated LED highbay; Black aluminium housing; 13000lm; 93 W; 140 Lm/W; 4000K; Drive current: 1600mA; CRI 80; 55° beam angle; DALI dimmable; IP65; IK08; Lifespan L80:B50 90,000 hrs; (D x H) 308 x 179 mm; 1.5 m mains cable; 1.5 m control cable; 1.2 m chain length including hooks.

Atouts techniques

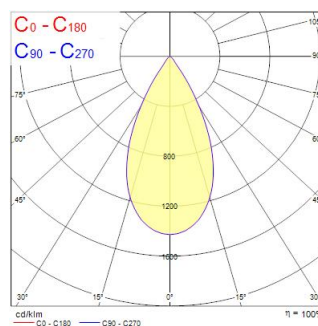
Dimensions (mm)



Photométrie

0.5	0.55	E101 E100	28.7°	6105 2453
1.0	1.09	E101 E100	28.7°	1576 603
1.5	1.64	E101 E100	28.7°	721 282
2.0	2.19	E101 E100	28.7°	399 150
2.5	2.74	E101 E100	28.7°	257 98
3.0	3.28	E101 E100	28.7°	176 68

Distance [m] Cone diameter [m] Illuminance [lx]
C0 - C180 (Half beam angle: 57.4°)



Granit IP65 DALI 13000lm 840 MB

Code article 0039617

SYLVANIA

Données générales

Nom du produit	Granit IP65 DALI 13000lm 840 MB
Technologie	LED
Housing	Aluminium
Montage	Suspended
Fixture rating	Enclosed
General application	Logistics & Industry
Operating temperature range (°C)	-30°C...+50°C
Performance ambient temperature Tq (°C)	25
ETIM Class	EC001716
Numéro virtuel FI	4357014
Warranty	5 ans

Données optiques

Fixture luminous flux (lm)	13000
Luminaire efficacy (lm/W)	140
Température de couleur (K)	4000
Couleur de lumière	Neutral White
IRC (Ra)	80
Colour Variation Initial (SDCM)	SDCM3
Beam Angle (°)	55
Glare control	< 22
Photobiological Risk Group	RG1

Caractéristiques électriques

Consommation électrique totale (W)	93
Lamp power factor	0.95
THD (at 230 V, 50 Hz, full load, at 100% dimming level) ≤ xx.x %	10
Electrical protection	Class I
Type d'appareillage	LED driver constant current
Dimmable	Yes
Dimming method	DALI
Drive current (mA)	1600
Courant d'appel (A)	72.08
Inrush Duration (µs)	540
Energy Efficiency Class (A->G) of contained light source	E
Nominal Frequency (Hz)	50/60Hz
LED Flickering Rate	Low (6% - 20%)
Max. products per 10A C Breaker	10
Max. products per 13A C Breaker	13
Max. products per 16A C Breaker	16
Max. products per 20A C Breaker	20
Max. products per 10A B Breaker	6
Max. products per 13A B Breaker	7
Max. products per 16A B Breaker	9
Max. products per 20A B Breaker	12

Durée de vie

Lifespan L70 B50	90000
Lifespan L70 B20	90000
Lifespan L70 B10	90000
Lifespan L80 B50	90000
Lifespan L80 B20	70000
Lifespan L80 B10	65000
Lifespan L90 B50	45000
Lifespan L90 B20	35000
Lifespan L90 B10	30000

Granit IP65 DALI 13000lm 840 MB

Code article 0039617

SYLVANIA

Données physiques

Housing colour	Black
IP rating	IP65
IK rating	IK08
Diffuser finish	Transparent
Diffuser material	PC Polycarbonate
Nominal Product Height (mm)	179
Nominal Product Diameter (mm)	308
Poids (kg)	2.78

Emballage

Product EAN number	5410288396170
Longueur simple de l'emballage (cm)	37.0
Largeur simple de l'emballage (cm)	37.0
Packaging single depth (cm)	18.0
DUN14 (inner)	05410288396170
Units per outer package	1
Packaging outer length / height (cm)	37.0
Packaging outer width (cm)	37.0
Packaging outer depth (cm)	18.0

Sécurité

Glow Wire Test (°C)	850
Condition de fonctionnement optimal (° C)	-30-50