

Granit IP65 DALI 19000lm 840 WB

Code article 0039621

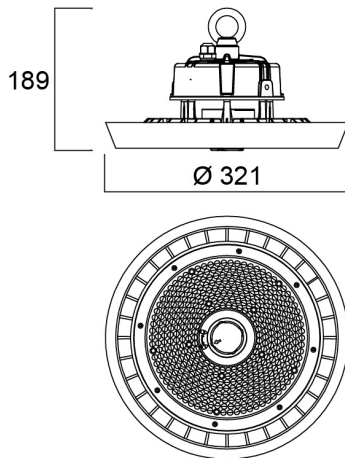
SYLVANIA



Integrated LED highbay; Black aluminium housing; 19500 Lm; 139 W; 140 Lm/W; 4000K; Drive current: 2400mA; CRI 80; 85° beam angle; DALI dimmable; IP65; IK08; Lifespan L80:B50 90,000 hrs; (D x H) 321 x 189 mm; 1.5 m mains cable; 1.5 m control cable; 1.2 m chain length including hooks.

Atouts techniques

Dimensions (mm)

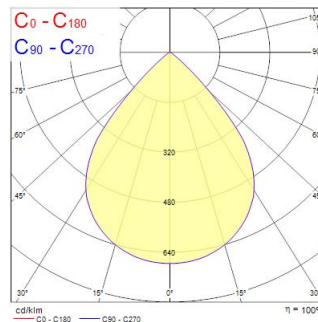


Photométrie

0.5	0.86	5071 5100	40.7°	9510 12251
1.0	1.72	5071 5100	40.7°	4205 3083
1.5	2.58	5071 5100	40.7°	820 1362
2.0	3.44	5071 5100	40.7°	359 788
2.5	4.30	5071 5100	40.7°	226 490
3.0	5.16	5071 5100	40.7°	159 341

Distance [m] Cone diameter [m] Illuminance [lx]

— C0 - C180 (Half beam angle: 81.4°)



Granit IP65 DALI 19000lm 840 WB

Code article 0039621

SYLVANIA

Données générales

Nom du produit	Granit IP65 DALI 19000lm 840 WB
Technologie	LED
Housing	Aluminium
Montage	Suspended
Fixture rating	Enclosed
General application	Logistics & Industry
Operating temperature range (°C)	-30°C...+50°C
Performance ambient temperature Tq (°C)	25
ETIM Class	EC001716
Numéro virtuel FI	4357018
Warranty	5 ans

Données optiques

Fixture luminous flux (lm)	19500
Luminaire efficacy (lm/W)	140
Température de couleur (K)	4000
Couleur de lumière	Neutral White
IRC (Ra)	80
Colour Variation Initial (SDCM)	SDCM3
Beam Angle (°)	85
Glare control	< 25
Photobiological Risk Group	RG1

Caractéristiques électriques

Consommation électrique totale (W)	139
Lamp power factor	0.95
THD (at 230 V, 50 Hz, full load, at 100% dimming level) ≤ xx.x %	10
Electrical protection	Class I
Type d'appareillage	LED driver constant current
Dimmable	Yes
Dimming method	DALI
Drive current (mA)	2400
Courant d'appel (A)	138
Inrush Duration (µs)	118
Energy Efficiency Class (A->G) of contained light source	E
Nominal Frequency (Hz)	50/60Hz
LED Flickering Rate	Low (6% - 20%)
Max. products per 10A C Breaker	6
Max. products per 13A C Breaker	7
Max. products per 16A C Breaker	9
Max. products per 20A C Breaker	12
Max. products per 10A B Breaker	3
Max. products per 13A B Breaker	4
Max. products per 16A B Breaker	5
Max. products per 20A B Breaker	7

Durée de vie

Lifespan L80 B50	90000
Lifespan L80 B20	70000
Lifespan L80 B10	65000
Lifespan L90 B50	45000

Granit IP65 DALI 19000lm 840 WB

Code article 0039621

SYLVANIA

Données physiques

Housing colour	Black
IP rating	IP65
IK rating	IK08
Diffuser finish	Transparent
Diffuser material	PC Polycarbonate
Nominal Product Height (mm)	189
Nominal Product Diameter (mm)	321
Poids (kg)	3.58

Emballage

Product EAN number	5410288396217
Longueur simple de l'emballage (cm)	38.0
Largeur simple de l'emballage (cm)	38.0
Packaging single depth (cm)	18.5
DUN14 (inner)	05410288396217
Units per outer package	1
Packaging outer length / height (cm)	38.0
Packaging outer width (cm)	38.0
Packaging outer depth (cm)	18.5

Sécurité

Glow Wire Test (°C)	850
Condition de fonctionnement optimal (° C)	-30-50