

# SylSafe Twin TS C EM3 NM MS

Code article 0041769

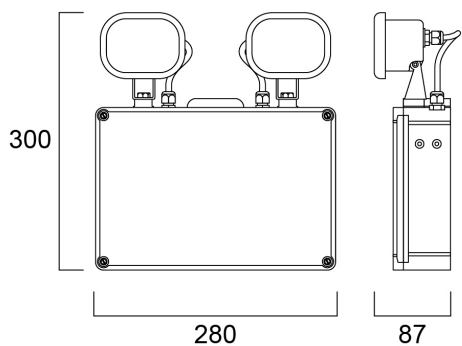
**SYLVANIA**



SylSafe Twin TS C EM3 NM MS is a dust and waterproof wall mounted twin LED projector for industrial applications. Two individually adjustable heads each delivering 200Lm. White housing colour. Non-maintained 3hr emergency operation with NiCd rechargeable battery. Recharge period 24 hours. 400Lm, 3.23W, IK03, IP65, Power Factor 0.6. Class I electrical construction. Ambient temperature 0C+40C

## Atouts techniques

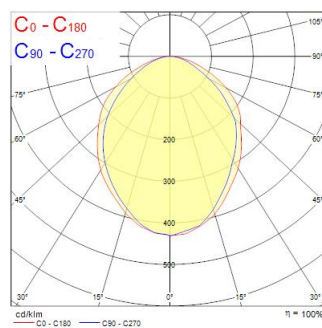
### Dimensions (mm)



### Photométrie

Distance [m]	Cone diameter [m]	Beam diameter [m]	Beam diameter [m]	Illuminance [lx]
0.5	1.23	50°	50°	344
1.0	2.46	50°	50°	86
1.5	3.69	50°	50°	38
2.0	4.92	50°	50°	23
2.5	6.15	50°	50°	14
3.0	7.38	50°	50°	10

Distance [m] Cone diameter [m] Illuminance [lx]  
C0 - C180 (Half beam angle: 101.8°)



# SylSafe Twin TS C EM3 NM MS

Code article 0041769

**SYLVANIA**

## Données générales

Nom du produit	SylSafe Twin TS C EM3 NM MS
Technologie	LED
Montage	Ceiling surface mounting
General application	Logistics & Industry
ETIM Class	EC001957
Warranty	5 ans

## Données optiques

Fixture luminous flux (lm)	400
Luminaire efficacy (lm/W)	124
Température de couleur (K)	5700
IRC (Ra)	70
Photobiological Risk Group	RG0
Luminous flux (emergency) (lm)	334

## Caractéristiques électriques

Emergency duration (h)	3
Primary Supply/Product voltage - min (V)	220
Primary Supply/Product voltage - max (V)	240
Lamp power factor	0.6
Electrical protection	Class I
Control gear required	Yes
Drive current (mA)	25
Nominal Frequency (Hz)	50/60Hz

## Données physiques

Housing colour	White
IP rating	IP65
IK rating	IK03
Longueur (mm)	280
Largeur (mm)	87
Nominal Product Height (mm)	300
Poids (kg)	1.7

## Emballage

Product EAN number	5410288417691
Longueur simple de l'emballage (cm)	30.3
Largeur simple de l'emballage (cm)	28.2
Packaging single depth (cm)	9.2
Units per outer package	5
Packaging outer length / height (cm)	49.5
Packaging outer width (cm)	30.0
Packaging outer depth (cm)	32.5