

START Panel UGR19 1200x300 4000Lm 840 SSC

Code article 0042573

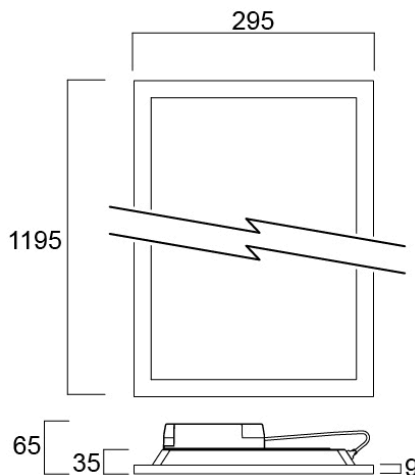
SYLVANIA



START Panel is a range of backlit LED panels used in recessed ceilings. Ideal for general indoor applications such as corridors, breakrooms, offices and meeting rooms. Luminaire dimensions are compatible with common ceiling installation, and the shallow design makes it easy to install in low ceilings. 3800Lm; 36W; 106Lm/W; Drive current: 750mA; Average lifespan: 100.000Hrs; 4000K; CRI 80; Glare control <19; IK03; IP40 (from the front); SDCM<3; Class II; Loop in loop out connector for quick installation. Not compatible with surface mounting frames. SylSmart Standalone (SSC) enabled.

Atouts techniques

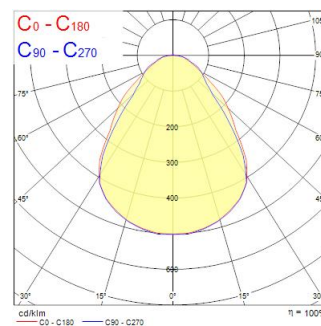
Dimensions (mm)



Photométrie

Distance [m]	Cone diameter [m]	Beam angle [°]	Beam diameter [m]	Illuminance [lx]
0.5	0.83 0.91	38° 42°	1743 1556	1580
1.0	1.65 1.82	38° 42°	438 384	1090
1.5	2.48 2.73	38° 42°	194 171	840
2.0	3.31 3.64	38° 42°	139 126	473
2.5	4.14 4.55	38° 42°	98 89	302
3.0	4.96 5.46	38° 42°	68 63	210

Distance [m] Cone diameter [m] Illuminance [lx]
 — C0 - C180 (Half beam angle: 24.9°)
 — C90 - C270 (Half beam angle: 79.2°)



START Panel UGR19 1200x300 4000Lm 840 SSC

Code article 0042573

SYLVANIA

Données générales

Nom du produit	START Panel UGR19 1200x300 4000Lm 840 SSC
Technologie	LED
Housing	Aluminium, Steel
Montage	Ceiling recessed mounting
General application	Education, Office
Operating temperature range (°C)	-10°C...+45°C
Performance ambient temperature Tq (°C)	25
ETIM Class	EC002892
Numéro virtuel FI	4278390
Warranty	5 ans

Données optiques

Fixture luminous flux (lm)	3800
Luminaire efficacy (lm/W)	106
Température de couleur (K)	4000
Couleur de lumière	Neutral White
IRC (Ra)	80
Colour Variation Initial (SDCM)	SDCM3
Beam Angle (°)	90
Distribution type	Symmetric
Glare control	< 19
Photobiological Risk Group	RG0

Caractéristiques électriques

Consommation électrique totale (W)	36
THD (at 230 V, 50 Hz, full load, at 100% dimming level) ≤ xx.x %	5
Electrical protection	Class II
Control gear required	Yes
Type d'appareillage	LED driver constant current
Dimmable	Yes
Dimming method	SylSmart Standalone (SSC)
Minimum dimming level (%)	1
Drive current (mA)	750
Courant d'appel (A)	23
Inrush Duration (µs)	200
Energy Efficiency Class (A->G) of contained light source	D
Nominal Frequency (Hz)	50/60Hz
LED Flickering Rate	Ultra low (5% or less)
Max. products per 10A C Breaker	23
Max. products per 13A C Breaker	31
Max. products per 16A C Breaker	38
Max. products per 20A C Breaker	48
Max. products per 10A B Breaker	14
Max. products per 13A B Breaker	19
Max. products per 16A B Breaker	23
Max. products per 20A B Breaker	29

Durée de vie

Lifespan L70 B50	100000
Lifespan L80 B20	71000

START Panel UGR19 1200x300 4000Lm 840 SSC

Code article 0042573

SYLVANIA

Données physiques

Housing colour	RAL 9003 - Signal white
IP rating	IP40/20
IK rating	IK03
Diffuser finish	Prismatic
Diffuser material	Other
Longueur (mm)	1195
Largeur (mm)	295
Nominal Product Height (mm)	35
Poids (kg)	2.0

Emballage

Product EAN number	5410288425733
Longueur simple de l'emballage (cm)	38.5
Largeur simple de l'emballage (cm)	120.5
Packaging single depth (cm)	3.8
DUN14 (inner)	15410288425730
Units per inner package	2
Packaging inner length / height (cm)	35.0
Packaging inner width (cm)	132.0
Packaging inner depth (cm)	10.6
DUN14 (outer)	25410288425737
Units per outer package	40
Packaging outer length / height (cm)	132.0
Packaging outer width (cm)	71.0
Packaging outer depth (cm)	93.0

Sécurité

Glow Wire Test (°C)	650
Condition de fonctionnement optimal (° C)	-10-45