

# START Panel IP65 UGR19 600x600 4400lm 840 DALI WHT

Code article 0042693

**SYLVANIA**

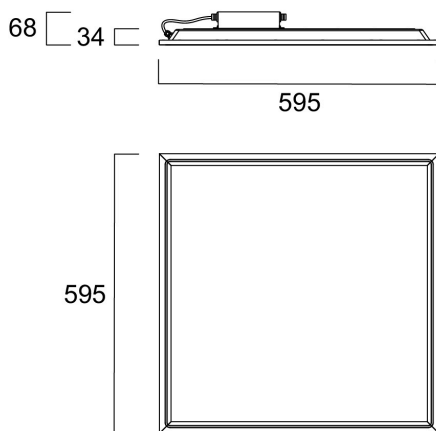
**START**<sup>TM</sup>



The START Panel IP65 is a range of backlit LED panels used in recessed ceilings. Ideal for healthcare, hospitals, laboratories and pharmaceutical industry, it meets the IFS requirements by offering impact resistant cover and good cleanability. Easy-to-clean luminaires with a high protection class to avoid vapors and dust entry. Low glaring UGR<19. RG0, 100-degree beam angle, optical system: prismatic diffuser with powder coating finish. Tp(b) rated diffuser that may not burn at a speed of more than 50mm per minute. Light color temperature: 4000K Cool White, total system power: 37W, total fixture output: 4400lm, efficacy: 119lm/W, Ra80 typical, LED chromaticity: 3 step MacAdam ellipse (SDCM3), lifespan: 100,000 hours at 70% of the original output (L70B50), operating voltage: 220-240V / 50-60Hz, low flicker, DALI-2 dimmable IP65 driver, electrical protection: Class I. Degree of Protection: IP65 (both front and back) - able to protect against water jets. Nominal size: 595x595mm, Loop in / loop out wiring with accessory box, safety cables included, 34mm nominal height, White color frame, weight: 2.2kg. For using EM kits 0046600-01 please order connector 0047523.

## Atouts techniques

### Dimensions (mm)



### Photométrie

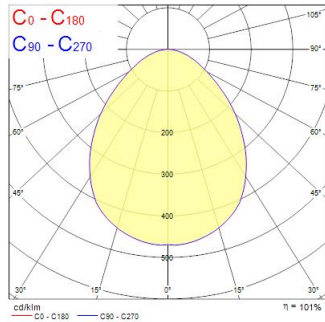
0.5	1.00	80%	1483
1.0	2.00	298	371
1.5	3.00	192	155
2.0	4.00	144	93
2.5	5.00	115	58
3.0	6.00	96	41

Distance [m]    Cone diameter [m]    Illuminance [lx]  
 CO - C180 (Half beam angle: 90.0°)

# START Panel IP65 UGR19 600x600 4400lm 840 DALI WHT

Code article 0042693

**SYLVANIA**



## Données générales

Nom du produit	START Panel IP65 UGR19 600x600 4400lm 840 DALI WHT
Technologie	LED
Cap/Base	N/A
Housing	Steel
Montage	Ceiling recessed mounting
Built in presence detector	NONE
General application	Education, Logistics & Industry, Office
Operating temperature range (°C)	-10°C...+40°C
Virtual assistant compatibility	N/A
ETIM Class	EC002892
Numéro virtuel FI	4279300
Warranty	5 ans

## Données optiques

Fixture luminous flux (lm)	4400
Luminaire efficacy (lm/W)	119
Température de couleur (K)	4000
Colour Code	840
Couleur de lumière	Neutral White
IRC (Ra)	80
Colour Variation Initial (SDCM)	SDCM3
Beam Angle (°)	100
Distribution type	Symmetric
Glare control	< 19
Photobiological Risk Group	RG0

## Caractéristiques électriques

Consommation électrique totale (W)	37
Primary Supply/Product voltage - min (V)	220.0
Primary Supply/Product voltage - max (V)	240.0
Lamp power factor	0.9
THD (at 230 V, 50 Hz, full load, at 100% dimming level) ≤ xx.x %	10.0
Electrical protection	Class I
Type d'appareillage	LED driver constant current
Dimmable	Yes
Dimming method	DALI-2
Minimum dimming level (%)	1
Drive current (mA)	1000
Courant d'appel (A)	4
Inrush Duration (µs)	190
Energy Efficiency Class (A->G) of contained light source	D
Nominal Frequency (Hz)	50/60Hz
LED Flickering Rate	Ultra low (5% or less)
Max. products per 16A C Breaker	53
Max. products per 16A B Breaker	53
Connectable conductor cross section - Max (mm²)	1.5
<b>Durée de vie</b>	
Lifespan L70 B50	100000
Lifespan L80 B20	83000

# START Panel IP65 UGR19 600x600 4400lm 840 DALI WHT

Code article 0042693

**SYLVANIA**

## Données physiques

Housing colour	RAL 9003 - Signal white
IP rating	IP65
IK rating	IK05
Diffuser finish	Prismatic
Diffuser material	PS Polystyrene
Longueur (mm)	595
Largeur (mm)	595
Nominal Product Height (mm)	34
Poids (kg)	2.425

## Emballage

Product EAN number	5410288426938
Longueur simple de l'emballage (cm)	60.0
Largeur simple de l'emballage (cm)	3.9
Packaging single depth (cm)	66.5
DUN14 (inner)	15410288426935
Units per outer package	46
Packaging outer length / height (cm)	136.0
Packaging outer width (cm)	98.0
Packaging outer depth (cm)	63.0

## Sécurité

Glow Wire Test (°C)	650
Condition de fonctionnement optimal (° C)	-10-40