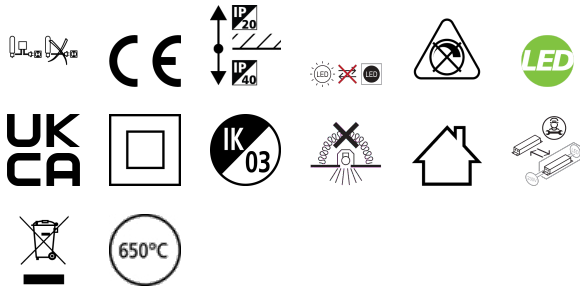


# START Panel UGR19 600x600 3800Lm 830 LILO

Code article 0042827

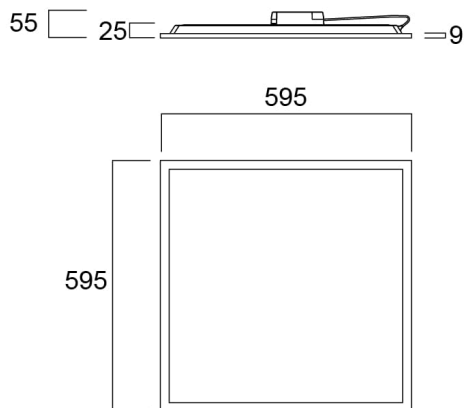
**SYLVANIA**



LED Panel with backlit technology, ideal for general indoor lighting applications such as breakout areas, offices and meeting rooms. Extruded aluminium frame, passive cooling. Low glaring UGR<19. RG0, 90 degree beam angle , optical system: PS diffuser with Prismatic finish. Light color temperature: 3000K Warm White, total system power: 36W , total fixture output: 3800lm, efficacy: 106 lm/W, Ra80 typical, LED chromacity: 3 step MacAdam ellipse (SDCM3), lifespan: 100,000 hours at 70% of the original output (L70B50), IR/UV free light source without heat radiation, operating voltage: 220-240V / 50-60Hz, low flicker, non dimmable driver, electrical protection: Class II. Degree of Protection: IP40/IP20, suitable for indoor environment only. Nominal size: 595x595mm, Loop in / loop out wiring, safety cables included, 25mm nominal height, White color frame, weight: 1,6Kg.

## Atouts techniques

### Dimensions (mm)

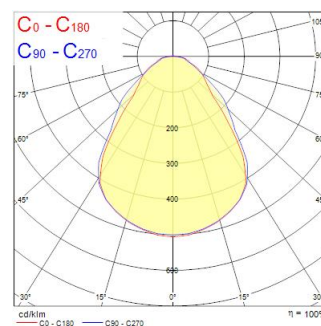


### Photométrie

0.5	0.90 0.92	E171 E190 E200	7737 42.1° 39.3°	1877 394 452
1.0	1.81 1.84	E171 E190 E200	42.1° 39.3° 39.3°	1947 394 452
1.5	2.71 2.46	E171 E190 E200	42.1° 39.3° 39.3°	365 319 251
2.0	3.61 3.27	E171 E190 E200	42.1° 39.3° 39.3°	487 366 313
2.5	4.52 4.09	E171 E190 E200	42.1° 39.3° 39.3°	511 366 313
3.0	5.42 4.91	E171 E190 E200	42.1° 39.3° 39.3°	219 144 100

Distance [m]      Cone diameter [m]      Illuminance [lx]

— C0 - C180 (Half beam angle: 78.6°)  
— C90 - C270 (Half beam angle: 84.2°)



# START Panel UGR19 600x600 3800Lm 830 LILO

Code article 0042827

**SYLVANIA**

## Données générales

Nom du produit	START Panel UGR19 600x600 3800Lm 830 LILO
Technologie	LED (3 SDCM)
Cap/Base	N/A
Housing	Aluminium, Steel
Montage	Ceiling recessed mounting
Built in presence detector	NONE
General application	Education, Office
Operating temperature range (°C)	-10°C...+45°C
Performance ambient temperature Tq (°C)	25
Virtual assistant compatibility	N/A
ETIM Class	EC002892
Numéro virtuel FI	4278456
Warranty	5 ans

## Données optiques

Fixture luminous flux (lm)	3800
Luminaire efficacy (lm/W)	106
Température de couleur (K)	3000
Couleur de lumière	Warm White
IRC (Ra)	80
Colour Variation Initial (SDCM)	SDCM3
Beam Angle (°)	90
Distribution type	Symmetric
Glare control	< 19
Photobiological Risk Group	RG0

## Caractéristiques électriques

Consommation électrique totale (W)	36
Primary Supply/Product voltage - min (V)	220
Primary Supply/Product voltage - max (V)	240
Lamp power factor	0.9
THD (at 230 V, 50 Hz, full load, at 100% dimming level) ≤ xx.x %	20.0
Electrical protection	Class II
Control gear required	Yes
Type d'appareillage	LED driver constant current
No. Of switching cycles before premature failures	>25000
Dimmable	No
Dimming method	N/A
Drive current (mA)	680
Courant d'appel (A)	17
Inrush Duration (µs)	150
Energy Efficiency Class (A->G) of contained light source	D
Nominal Frequency (Hz)	50/60Hz
LED Flickering Rate	Ultra low (5% or less)
Max. products per 10A C Breaker	51
Max. products per 13A C Breaker	66
Max. products per 16A C Breaker	81
Max. products per 20A C Breaker	102
Max. products per 10A B Breaker	33
Max. products per 13A B Breaker	43
Max. products per 16A B Breaker	54
Max. products per 20A B Breaker	68
Connectable conductor cross section - Max (mm <sup>2</sup> )	1.5

## Durée de vie

Lifespan L70 B50	100000
Lifespan L80 B20	71000

# START Panel UGR19 600x600 3800Lm 830 LILO

Code article 0042827

**SYLVANIA**

## Données physiques

Housing colour	RAL 9003 - Signal white
IP rating	IP40/20
IK rating	IK03
Diffuser finish	Prismatic
Diffuser material	Other
Longueur (mm)	595
Largeur (mm)	595
Nominal Product Height (mm)	26
Poids (kg)	1.6

## Emballage

Product EAN number	5410288428277
Longueur simple de l'emballage (cm)	60.0
Largeur simple de l'emballage (cm)	65.0
Packaging single depth (cm)	3.8
DUN14 (inner)	15410288428274
Units per outer package	4
Packaging outer length / height (cm)	69.0
Packaging outer width (cm)	65.0
Packaging outer depth (cm)	17.0

## Sécurité

Glow Wire Test (°C)	650
Condition de fonctionnement optimal (° C)	-10-45