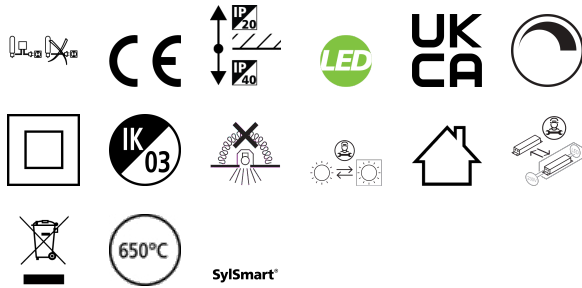


START Panel UGR19 600x600 4000Lm 840 SSC

Code article 0042894

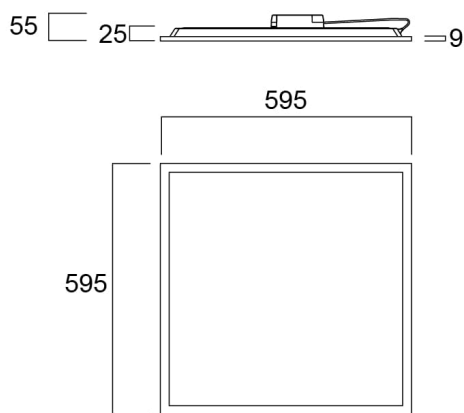
SYLVANIA



LED Panel with backlit technology, ideal for general indoor lighting applications such as breakout areas, offices and meeting rooms. Extruded aluminium frame, passive cooling. Low glaring UGR<19. RG0, 90 degree beam angle , optical system: PS diffuser with Prismatic finish. Light color temperature: 4000K Neutral White, total system power: 36W , total fixture output: 4000lm, efficacy: 111 lm/W, Ra80 typical, LED chromacity: 3 step MacAdam ellipse (SDCM3), lifespan: 100,000 hours at 70% of the original output (L70B50), IR/UV free light source without heat radiation, operating voltage: 220-240V / 50-60Hz, low flicker, SylSmart StandAlone (SCC) wireless dimmable driver, electrical protection: Class II. Degree of Protection: IP40/IP20, suitable for indoor environment only. Nominal size: 595x595mm, Loop in / loop out wiring, safety cables included, 25mm nominal height, White color frame, weight: 1,6Kg.

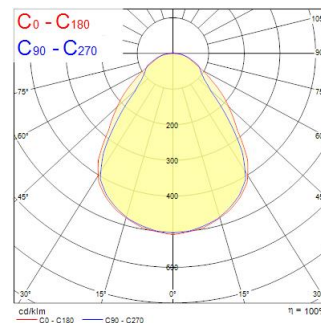
Atouts techniques

Dimensions (mm)



Photométrie

Distance [m]	Cone diameter [m]	E10%	E50%	E90%	Beam angle [°]	Illuminance [lx]
0.5	0.92	507	254	127	90°	8254
	0.92	E10%	E50%	E90%	39.4°	1894
					42.9°	1662
1.0	1.84	507	254	127	90°	2064
	1.83	E10%	E50%	E90%	39.4°	473
					42.9°	414
1.5	2.76	507	254	127	90°	917
	2.75	E10%	E50%	E90%	39.4°	240
					42.9°	184
2.0	3.68	507	254	127	90°	516
	3.67	E10%	E50%	E90%	39.4°	133
					42.9°	103
2.5	4.59	507	254	127	90°	330
	4.58	E10%	E50%	E90%	39.4°	78
					42.9°	68
3.0	5.50	507	254	127	90°	229
	5.50	E10%	E50%	E90%	39.4°	57
					42.9°	46



START Panel UGR19 600x600 4000Lm 840 SSC

Code article 0042894

SYLVANIA

Données générales

Nom du produit	START Panel UGR19 600x600 4000Lm 840 SSC
Technologie	LED (3 SDCM)
Cap/Base	N/A
Housing	Steel
Montage	Ceiling recessed mounting
Built in presence detector	NONE
General application	Education, Office
Operating temperature range (°C)	-10°C...+45°C
Performance ambient temperature Tq (°C)	25
Virtual assistant compatibility	N/A
ETIM Class	EC002892
Numéro virtuel FI	4278476
Warranty	5 ans

Données optiques

Fixture luminous flux (lm)	4000
Luminaire efficacy (lm/W)	111
Température de couleur (K)	4000
Couleur de lumière	Neutral White
IRC (Ra)	80
Colour Variation Initial (SDCM)	SDCM3
Beam Angle (°)	90
Distribution type	Symmetric
Glare control	< 19
Photobiological Risk Group	RG0

Caractéristiques électriques

Consommation électrique totale (W)	36
Primary Supply/Product voltage - min (V)	220.0
Primary Supply/Product voltage - max (V)	240.0
Lamp power factor	0.95
THD (at 230 V, 50 Hz, full load, at 100% dimming level) ≤ xx.x %	20.0
Electrical protection	Class II
Control gear required	Yes
Type d'appareillage	LED driver constant current
Dimmable	Yes
Dimming method	SylSmart Standalone (SSC)
Drive current (mA)	680
Courant d'appel (A)	23
Inrush Duration (µs)	200
Energy Efficiency Class (A->G) of contained light source	D
Nominal Frequency (Hz)	50/60Hz
LED Flickering Rate	Ultra low (5% or less)
Max. products per 10A C Breaker	23
Max. products per 13A C Breaker	31
Max. products per 16A C Breaker	38
Max. products per 20A C Breaker	48
Max. products per 10A B Breaker	14
Max. products per 13A B Breaker	19
Max. products per 16A B Breaker	23
Max. products per 20A B Breaker	29
Connectable conductor cross section - Max (mm ²)	1.5

Durée de vie

Lifespan L70 B50	100000
Lifespan L80 B20	71000

START Panel UGR19 600x600 4000Lm 840 SSC

Code article 0042894

SYLVANIA

Données physiques

Housing colour	RAL 9003 - Signal white
IP rating	IP40/20
IK rating	IK03
Diffuser finish	Diffuse
Diffuser material	Other
Longueur (mm)	595
Largeur (mm)	595
Nominal Product Height (mm)	25
Poids (kg)	1.6

Emballage

Product EAN number	5410288428949
Longueur simple de l'emballage (cm)	70.1
Largeur simple de l'emballage (cm)	60.6
Packaging single depth (cm)	3.8
DUN14 (inner)	15410288428946
Units per outer package	32
Packaging outer length / height (cm)	70.1
Packaging outer width (cm)	60.6
Packaging outer depth (cm)	3.8

Sécurité

Glow Wire Test (°C)	650
Condition de fonctionnement optimal (° C)	-10-45