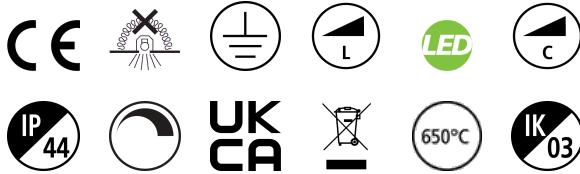


START Surface IP44 2900lm 830/840 DualTone DIM

Code article 0043429

SYLVANIA

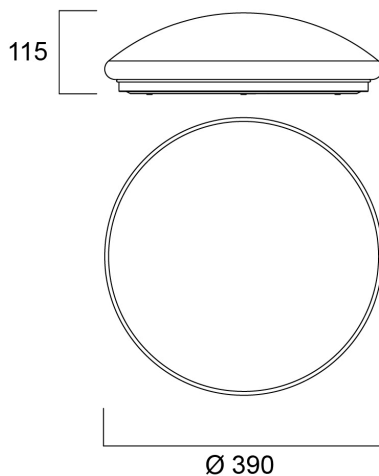
STARTTM



Ceiling / wall luminaire with integrated LED. Perfect solution for hallways, circulation spaces or foyer. Even and uniform light distribution with a halo lighting effect on the wall surface. Body Size diameter 390mm. Besa mounting box compatible, hole distance 51 & 78mm. DualTone functionality enables switch between 3000K and 4000K colour temperatures. Power 32W, output 2900 lumens (4000K). Dimmable, leading/trailing edge. IK03, IP44. Low maintenance with lifespan 90,000 hours L70:B50.

Atouts techniques

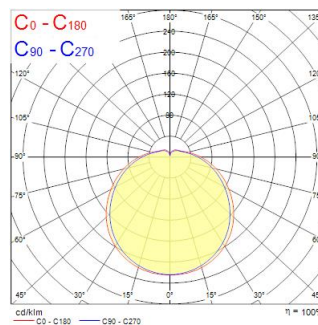
Dimensions (mm)



Photométrie

Distance [m]	Cone diameter [m]	Beam angle [°]	Beam diameter [m]	Illuminance [lx]
0.5	2.02 2.36	83° 97°	274 303	106 100
1.0	4.05 4.71	83° 97°	554 628	26 26
1.5	6.07 7.17	83° 97°	834 954	18 18
2.0	8.09 9.56	83° 97°	1114 1274	13 13
2.5	10.12 11.89	83° 97°	1394 1594	10 10
3.0	12.14 14.34	83° 97°	1674 1914	8 8

Distance [m] Cone diameter [m] Illuminance [lx]
 — C0 - C180 (Half beam angle: 134.6°)
 — C90 - C270 (Half beam angle: 127.4°)



START Surface IP44 2900lm 830/840 DualTone DIM

Code article 0043429

SYLVANIA

Données générales

Nom du produit	START Surface IP44 2900lm 830/840 DualTone DIM
Technologie	LED
Cap/Base	N/A
Housing	Steel
Montage	Ceiling surface mounting
Built in presence detector	NONE
General application	Hospitality
Operating temperature range (°C)	-20°C...+40°C
Performance ambient temperature Tq (°C)	25
Virtual assistant compatibility	N/A
ETIM Class	EC002892
Warranty	3 ans

Données optiques

Fixture luminous flux (lm)	2900
Luminaire efficacy (lm/W)	87
Couleur de lumière	Warm White or Neutral White
IRC (Ra)	80
Colour Variation Initial (SDCM)	SDCM6
Beam Angle (°)	120
Distribution type	Diffuse
Photobiological Risk Group	RG0

Caractéristiques électriques

Consommation électrique totale (W)	32
Primary Supply/Product voltage - min (V)	220
Primary Supply/Product voltage - max (V)	240
Lamp power factor	0.9
THD (at 230 V, 50 Hz, full load, at 100% dimming level) ≤ xx.x %	20
Electrical protection	Class I
Type d'appareillage	LED driver constant current
Dimmable	Yes
Dimming method	Mains: leading / trailing edge
Drive current (mA)	168
Courant d'appel (A)	5
Inrush Duration (µs)	100
Energy Efficiency Class (A->G) of contained light source	E
Nominal Frequency (Hz)	50Hz
LED Flickering Rate	Medium (21% - 40%)
Max. products per 10A C Breaker	6
Max. products per 13A C Breaker	8
Max. products per 16A C Breaker	10
Max. products per 20A C Breaker	12
Max. products per 10A B Breaker	4
Max. products per 13A B Breaker	5
Max. products per 16A B Breaker	6
Max. products per 20A B Breaker	7
Connectable conductor cross section - Max (mm ²)	2.5

Durée de vie

Lifespan L70 B50	90000
Lifespan L80 B50	90000
Lifespan L90 B50	50000

START Surface IP44 2900lm 830/840 DualTone DIM

Code article 0043429

SYLVANIA

Données physiques

Housing colour	White
IP rating	IP44
IK rating	IK03
Diffuser finish	Opal
Diffuser material	Polypropylene
Nominal Product Height (mm)	115
Nominal Product Diameter (mm)	390
Poids (kg)	0.985

Emballage

Product EAN number	5410288434292
Longueur simple de l'emballage (cm)	42.4
Largeur simple de l'emballage (cm)	12.8
Packaging single depth (cm)	42.7
DUN14 (inner)	15410288434299
Units per outer package	5
Packaging outer length / height (cm)	66.5
Packaging outer width (cm)	43.7
Packaging outer depth (cm)	44.5

Sécurité

Glow Wire Test (°C)	650
Condition de fonctionnement optimal (° C)	-20-40