

SylFlood IP54 PIR 1850LM 830 White

Code article 0047120

SYLVANIA

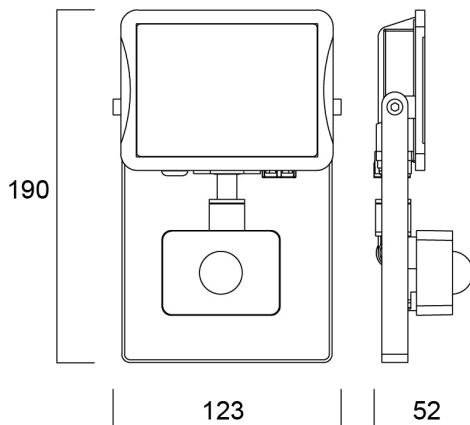
YourHome™



The streamlined, durable, lightweight die-cast aluminium body makes SylFlood a perfect choice for building facades, car parks, garages and construction areas. The product includes 1 m pre-wired stripped cable and fitting bracket for quick and easy installation and the universal mounting bracket allows wall or surface mounting with the possibility of vertical tilting. White (RAL9003) housing, white reflector, 1850 lm, 19 W, 97 lm/W, 3000K, non dimmable, CRI>80, IP54, IK06 - fixture, IK05 - sensor, Class I, lifespan L70:B50: 90000 hrs, 190 x 123 x 52 mm (L x W x H). Weight: 0.475kg. PIR sensor included.

Atouts techniques

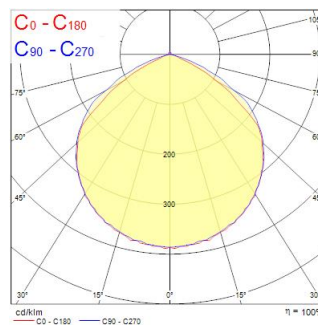
Dimensions (mm)



Photométrie

Distance [m]	Cone diameter [m]	Illuminance [lx]
0.5	1.51 1.34	2380 2420 2110
1.0	3.01 2.67	714 811 538
1.5	4.52 4.01	317 564 358
2.0	6.02 5.35	179 484 288
2.5	7.53 6.68	114 364 221
3.0	9.03 8.02	79 264 156

Distance [m] Cone diameter [m] Illuminance [lx]
 — C0 - C180 (Half beam angle: 156.4°)
 — C90 - C270 (Half beam angle: 112.8°)



SylFlood IP54 PIR 1850LM 830 White

Code article 0047120

SYLVANIA

Données générales

Nom du produit	SylFlood IP54 PIR 1850LM 830 White
Technologie	LED
Cap/Base	N/A
General application	Retail
Operating temperature range (°C)	-20°C...+40°C
Performance ambient temperature Tq (°C)	25
ETIM Class	EC001744
Warranty	3 ans

Données optiques

Fixture luminous flux (lm)	1850
Luminaire efficacy (lm/W)	97
Température de couleur (K)	3000
Couleur de lumière	Warm White
IRC (Ra)	80
Colour Variation Initial (SDCM)	SDCM5
Beam Angle (°)	110
Photobiological Risk Group	RG1

Caractéristiques électriques

Consommation électrique totale (W)	19.0
Primary Supply/Product voltage - min (V)	220
Primary Supply/Product voltage - max (V)	240
Lamp power factor	0.9
Electrical protection	Class I
Dimmable	No
Dimming method	N/A
Drive current (mA)	38
Courant d'appel (A)	19.8
Inrush Duration (µs)	200
Energy Efficiency Class (A->G) of contained light source	E
Nominal Frequency (Hz)	50/60Hz
LED Flickering Rate	Low (6% - 20%)
Max. products per 10A C Breaker	15
Max. products per 13A C Breaker	21
Max. products per 16A C Breaker	25
Max. products per 20A C Breaker	32
Max. products per 10A B Breaker	10
Max. products per 13A B Breaker	12
Max. products per 16A B Breaker	15
Max. products per 20A B Breaker	19

Durée de vie

Lifespan L70 B50	90000
Lifespan L80 B50	85000
Lifespan L80 B20	54000

SylFlood IP54 PIR 1850LM 830 White

Code article 0047120

SYLVANIA

Données physiques

Housing colour	White
IP rating	IP54
IK rating	IK06
IK rating of sensor	IK05
Longueur (mm)	190
Largeur (mm)	123
Nominal Product Height (mm)	52
Poids (kg)	0.475

Emballage

Product EAN number	5410288471204
Longueur simple de l'emballage (cm)	13.0
Largeur simple de l'emballage (cm)	6.0
Packaging single depth (cm)	20.0
DUN14 (inner)	15410288471201
Units per outer package	6
Packaging outer length / height (cm)	39.0
Packaging outer width (cm)	14.5
Packaging outer depth (cm)	22.0

Sécurité

Glow Wire Test (°C)	650
Condition de fonctionnement optimal (° C)	-20-40