

START eco Flood Flat IP54 PIR 4500lm 840

Code article 0047971

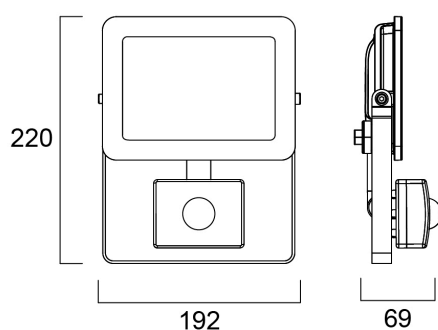
SYLVANIA



The new Start eco Flood Flat comes with improved design. The streamlined, durable, lightweight die-cast aluminium body makes it a perfect choice for building facades, car parks, garages and construction areas. The product includes 1 m pre-wired stripped cable and fitting bracket for quick and easy installation and the universal mounting bracket allows wall or surface mounting with the possibility of vertical tilting. Black die-cast aluminum housing, white reflector, 4750 lm, 51 W, 93 lm/W, 4000K, drive current 193 mA, non dimmable, CRI>80, IP54, IK07 - fixture, IK05 - sensor, Class I, lumen maintenance L70:B50: 30000 hrs, 193 x 216 x 70 mm (L x W x H). Weight: 0.85kg. PIR sensor included. Energy class: A++ A+ A.

Atouts techniques

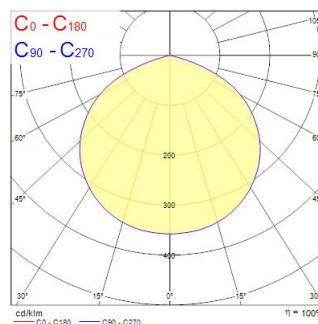
Dimensions (mm)



Photométrie

| Distance [m] | Cone diameter [m] | Beam diameter [m] | Illuminance [lx] |
|--------------|-------------------|-------------------|------------------|
| 0.5 | 1.61 | 0.70 | 6790 |
| 1.0 | 3.23 | 1.40 | 1698 |
| 1.5 | 4.84 | 2.10 | 756 |
| 2.0 | 6.45 | 2.80 | 425 |
| 2.5 | 8.06 | 3.50 | 272 |
| 3.0 | 9.68 | 4.20 | 199 |

Distance [m] Cone diameter [m] Illuminance [lx]
 — C0 - C180 (Half beam angle: 116.4°)



START eco Flood Flat IP54 PIR 4500lm 840

Code article 0047971

SYLVANIA

Données générales

| | |
|---|--|
| Nom du produit | START eco Flood Flat IP54 PIR 4500lm 840 |
| Technologie | LED |
| Housing | Aluminium |
| Built in presence detector | PIR |
| General application | Residential & Consumer |
| Operating temperature range (°C) | -20°C...+40°C |
| Performance ambient temperature Tq (°C) | 25 |
| ETIM Class | EC001744 |
| Warranty | 3 ans |

Données optiques

| | |
|----------------------------|---------------|
| Fixture luminous flux (lm) | 4750 |
| Luminaire efficacy (lm/W) | 93 |
| Température de couleur (K) | 4000 |
| Couleur de lumière | Neutral White |
| IRC (Ra) | 80 |
| Beam Angle (°) | 110 |
| Photobiological Risk Group | RG1 |

Caractéristiques électriques

| | |
|--|---------|
| Consommation électrique totale (W) | 51 |
| Primary Supply/Product voltage - min (V) | 220 |
| Primary Supply/Product voltage - max (V) | 240 |
| Lamp power factor | 0.9 |
| Electrical protection | Class I |
| Drive current (mA) | 193 |
| Courant d'appel (A) | 19.8 |
| Inrush Duration (µs) | 590 |
| Nominal Frequency (Hz) | 50/60Hz |
| Max. products per 10A C Breaker | 13 |
| Max. products per 13A C Breaker | 18 |
| Max. products per 16A C Breaker | 22 |
| Max. products per 20A C Breaker | 27 |
| Max. products per 10A B Breaker | 6 |
| Max. products per 13A B Breaker | 9 |
| Max. products per 16A B Breaker | 11 |
| Max. products per 20A B Breaker | 14 |
| Mains surge immunity (differential mode -> L-N) (kV) | 1 |
| Mains surge immunity (common mode -> L/N - GND) (kV) | 2 |

Durée de vie

| | |
|------------------|-------|
| Lifespan L70 B50 | 30000 |
|------------------|-------|

Données physiques

| | |
|-----------------------------|--------------------------|
| Housing colour | RAL 9017 - Traffic black |
| IP rating | IP54 |
| IK rating | IK05 |
| Longueur (mm) | 193 |
| Largeur (mm) | 216 |
| Nominal Product Height (mm) | 70 |
| Poids (kg) | 0.85 |
| Wind Area (m ²) | 0.049 |

START eco Flood Flat IP54 PIR 4500lm 840

Code article 0047971

SYLVANIA

Emballage

| | |
|--------------------------------------|----------------|
| Product EAN number | 5410288479712 |
| Longueur simple de l'emballage (cm) | 19.6 |
| Largeur simple de l'emballage (cm) | 9.6 |
| Packaging single depth (cm) | 21.8 |
| DUN14 (inner) | 15410288479719 |
| Units per outer package | 5 |
| Packaging outer length / height (cm) | 50.2 |
| Packaging outer width (cm) | 21.6 |
| Packaging outer depth (cm) | 25.1 |

Sécurité

| | |
|---|--------|
| Condition de fonctionnement optimal (° C) | -20-40 |
|---|--------|