

START Panel UGR19 625x625 4700lm 830/840 SSA01D

Code article 0048105

SYLVANIA

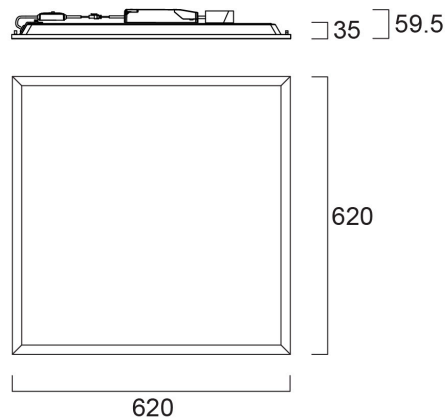
STARTTM



START Panel is a range of recessed integrated LED panels for general indoor lighting applications such as breakout areas, offices and meeting rooms. With the CCT switch the customer is enabled to switch between 3000K and 4000K colour temperatures. Max. lumen output: 4700lm; Max. drive current: 850mA; Lifespan: 100.000Hrs L80:B50; CRI 80; Efficacy up to: 138Lm/W; Glare control <19; IK03; IP40 (from the front); Class II; Tp(b) rated diffuser that may not burn at a speed of more than 50mm per minute. SylSmart Connected (SSA) enabled.

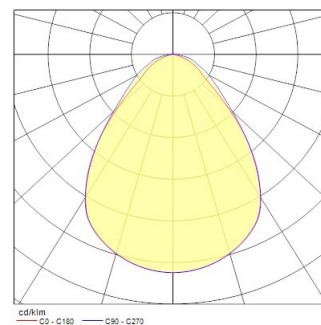
Atouts techniques

Dimensions (mm)



Photométrie

Distance [m]	Cone diameter [m]	E107	E108	E109	E110	E111	E112	E113	E114	E115	E116	E117	E118	E119	E120	Illuminance [lx]
0.5	0.88	1962	1962	1962	1962	1962	1962	1962	1962	1962	1962	1962	1962	1962	1962	934
1.0	1.77	491	491	491	491	491	491	491	491	491	491	491	491	491	491	234
1.5	2.65	210	210	210	210	210	210	210	210	210	210	210	210	210	210	103
2.0	3.54	131	131	131	131	131	131	131	131	131	131	131	131	131	131	58
2.5	4.42	80	80	80	80	80	80	80	80	80	80	80	80	80	80	37
3.0	5.31	55	55	55	55	55	55	55	55	55	55	55	55	55	55	23



START Panel UGR19 625x625 4700lm 830/840 SSA01D

Code article 0048105

SYLVANIA

Données générales

Nom du produit	START Panel UGR19 625x625 4700lm 830/840 SSA01D
Technologie	LED
Cap/Base	N/A
Housing	Steel
Montage	Ceiling recessed mounting
Built in presence detector	NONE
General application	Office, Education
Operating temperature range (°C)	5°C...+25°C
Virtual assistant compatibility	N/A
ETIM Class	EC002892
Warranty	5 ans

Données optiques

Fixture luminous flux (lm)	4700
Luminaire efficacy (lm/W)	132
Couleur de lumière	Warm White or Neutral White
IRC (Ra)	80
Colour Variation Initial (SDCM)	SDCM3
Beam Angle (°)	85
Distribution type	Symmetric
Glare control	< 19
Photobiological Risk Group	RG0

Caractéristiques électriques

Emergency type	
Consommation électrique totale (W)	34
Primary Supply/Product voltage - min (V)	220.0
Primary Supply/Product voltage - max (V)	240.0
Lamp power factor	0.9
THD (at 230 V, 50 Hz, full load, at 100% dimming level) ≤ xx.x %	10.0
Electrical protection	Class II
Type d'appareillage	LED driver constant current
Dimmable	Yes
Dimming method	SylSmart Connected (SSA)
Drive current (mA)	850
Courant d'appel (A)	20
Inrush Duration (µs)	25
Energy Efficiency Class (A->G) of contained light source	C
Nominal Frequency (Hz)	50/60Hz
LED Flickering Rate	Ultra low (5% or less)
Max. products per 10A C Breaker	42
Max. products per 13A C Breaker	55
Max. products per 16A C Breaker	69
Max. products per 20A C Breaker	84
Max. products per 10A B Breaker	25
Max. products per 13A B Breaker	33
Max. products per 16A B Breaker	40
Max. products per 20A B Breaker	51
Connectable conductor cross section - Min (mm ²)	0.75
Connectable conductor cross section - Max (mm ²)	2.5

Durée de vie

Lifespan L70 B50

100000

START Panel UGR19 625x625 4700lm 830/840 SSA01D

Code article 0048105

SYLVANIA

Données physiques

Housing colour	RAL 9003 - Signal white
IP rating	IP40/20
IK rating	IK03
Diffuser finish	Diffuse
Diffuser material	PS Polystyrene
Longueur (mm)	620
Largeur (mm)	620
Nominal Product Height (mm)	35
Poids (kg)	2.15

Emballage

Product EAN number	5410288481050
Longueur simple de l'emballage (cm)	65.3
Largeur simple de l'emballage (cm)	3.5
Packaging single depth (cm)	62.5
DUN14 (inner)	15410288481057
Units per outer package	4
Packaging outer length / height (cm)	66.6
Packaging outer width (cm)	16.2
Packaging outer depth (cm)	64.3

Sécurité

Glow Wire Test (°C)	650
Condition de fonctionnement optimal (° C)	5-25