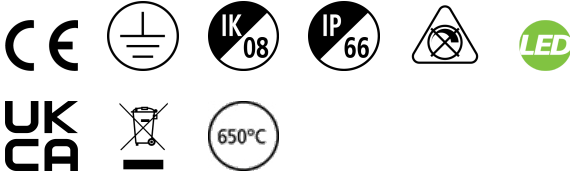


Zephyr Large 10000LM 4K CLI Grey Photocell

Code article 0050090

SYLVANIA

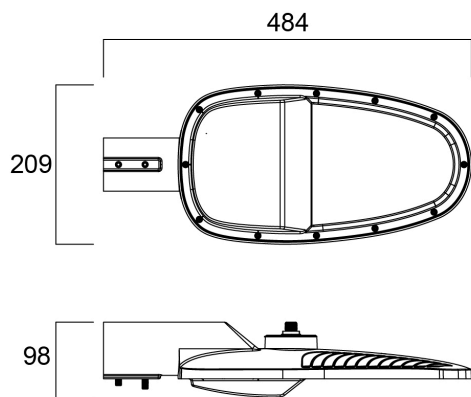
PROTM



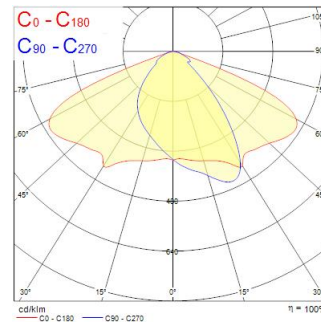
LED Lantern complete with photocell, 60mm side entry spigot and supplied with 0.5 metre mains supply cable, die-cast aluminium housing, polycarbonate cover, IP66, IK08, Class I, 4000K (Neutral White), Non-dimmable, 10000lm, 81W, 123lm/W, CRI80, Lifespan 90,000hrs L70:B50, (LxWxD) 484 x 209 x 98mm. The integrated photocell is turning on the light at 10-16lx and turning it off when it is above 65lx.

Atouts techniques

Dimensions (mm)



Photométrie



Zephyr Large 10000LM 4K CLI Grey Photocell

Code article 0050090

SYLVANIA

Données générales

| | |
|---|--|
| Nom du produit | Zephyr Large 10000LM 4K CLI Grey Photocell |
| Technologie | LED |
| Cap/Base | N/A |
| Housing | Aluminium |
| General application | Education, Hospitality, Logistics & Industry, Office, Retail |
| Operating temperature range (°C) | -30°C...+50°C |
| Performance ambient temperature Tq (°C) | 25 |
| ETIM Class | EC000062 |
| Warranty | 5 ans |

Données optiques

| | |
|---------------------------------|---------------|
| Fixture luminous flux (lm) | 10000 |
| Luminaire efficacy (lm/W) | 123 |
| Température de couleur (K) | 4000 |
| Couleur de lumière | Neutral White |
| IRC (Ra) | 80 |
| Colour Variation Initial (SDCM) | SDCM5 |
| Photobiological Risk Group | RG1 |

Caractéristiques électriques

| | |
|--|------------------------|
| Consommation électrique totale (W) | 81 |
| Primary Supply/Product voltage - min (V) | 220 |
| Primary Supply/Product voltage - max (V) | 240 |
| Lamp power factor | 0.9 |
| THD (at 230 V, 50 Hz, full load, at 100% dimming level) ≤ xx.x % | 15 |
| Electrical protection | Class I |
| No. Of switching cycles before premature failures | >25000 |
| Dimmable | No |
| Dimming method | N/A |
| Drive current (mA) | 1900 |
| Courant d'appel (A) | 9 |
| Inrush Duration (µs) | 500 |
| Energy Efficiency Class (A->G) of contained light source | D |
| Nominal Frequency (Hz) | 50/60Hz |
| LED Flickering Rate | Ultra low (5% or less) |
| Max. products per 10A C Breaker | 7 |
| Max. products per 13A C Breaker | 9 |
| Max. products per 16A C Breaker | 11 |
| Max. products per 20A C Breaker | 14 |
| Max. products per 10A B Breaker | 4 |
| Max. products per 13A B Breaker | 5 |
| Max. products per 16A B Breaker | 6 |
| Max. products per 20A B Breaker | 7 |

Durée de vie

| | |
|------------------|-------|
| Lifespan L70 B50 | 90000 |
| Lifespan L80 B50 | 90000 |
| Lifespan L80 B20 | 90000 |

Zephyr Large 10000LM 4K CLI Grey Photocell

Code article 0050090

SYLVANIA

Données physiques

| | |
|-----------------------------|------------------|
| Housing colour | Grey |
| IP rating | IP66 |
| IK rating | IK08 |
| Diffuser material | PC Polycarbonate |
| Longueur (mm) | 484 |
| Largeur (mm) | 209 |
| Nominal Product Height (mm) | 98 |
| Poids (kg) | 3.0 |

Emballage

| | |
|--------------------------------------|----------------|
| Product EAN number | 5410288500904 |
| Longueur simple de l'emballage (cm) | 51.7 |
| Largeur simple de l'emballage (cm) | 24.7 |
| Packaging single depth (cm) | 14.5 |
| DUN14 (inner) | 05410288500904 |
| Units per outer package | 1 |
| Packaging outer length / height (cm) | 51.7 |
| Packaging outer width (cm) | 24.7 |
| Packaging outer depth (cm) | 14.5 |

Sécurité

| | |
|---|--------|
| Glow Wire Test (°C) | 650 |
| Condition de fonctionnement optimal (° C) | -30-50 |