

Start Flood Flat IP65 1000LM 840 Black

Code article 0050106

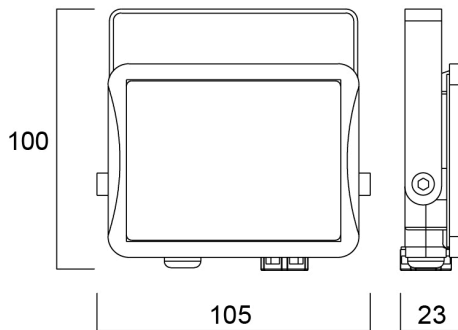
SYLVANIA



The streamlined, durable, lightweight die-cast aluminium body makes Start Flood Flat a perfect choice for building facades, car parks, garages and construction areas. The product includes 1 m pre-wired stripped cable and fitting bracket for quick and easy installation and the universal mounting bracket allows wall or surface mounting with the possibility of vertical tilting. Black (RAL9017) housing, white reflector, 1000 lm, 9 W, 111 lm/W, 4000K, non dimmable, CRI>80, IP65, IK06, Class I, lifespan L70:B50: 90000 hrs, 100 x 105 x 23 mm (L x W x H). Weight: 0.32kg.

Atouts techniques

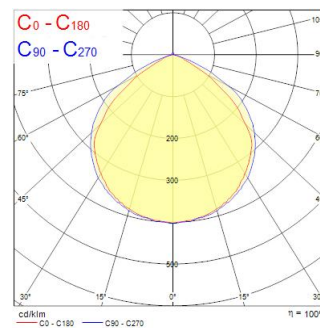
Dimensions (mm)



Photométrie

Distance [m]	Cone diameter [m]	Beam angle [°]	Illuminance [lx]
0.5	1.48 1.22	90° 90°	1610 208
1.0	2.97 2.43	90° 90°	402 85
1.5	4.45 3.65	90° 90°	179 30
2.0	5.93 4.87	90° 90°	101 15
2.5	7.41 6.09	90° 90°	64 8
3.0	8.90 7.30	90° 90°	45 4

Distance [m] Cone diameter [m] Illuminance [lx]
 — C0 - C180 (Half beam angle: 101.2°)
 — C90 - C270 (Half beam angle: 112.0°)



Start Flood Flat IP65 1000LM 840 Black

Code article 0050106

SYLVANIA

Données générales

Nom du produit	Start Flood Flat IP65 1000LM 840 Black
Technologie	LED
Cap/Base	N/A
Housing	Aluminium
Montage	Wall surface mounted, Ceiling surface mounting
Built in presence detector	NONE
General application	Residential & Consumer
Operating temperature range (°C)	-20°C...+40°C
Virtual assistant compatibility	N/A
ETIM Class	EC001744
Numéro virtuel FI	4579527
Warranty	3 ans

Données optiques

Fixture luminous flux (lm)	1000
Luminaire efficacy (lm/W)	111
Température de couleur (K)	4000
Couleur de lumière	Neutral White
IRC (Ra)	80
Colour Variation Initial (SDCM)	SDCM5
Beam Angle (°)	110
Distribution type	Symmetric
Photobiological Risk Group	RG1

Caractéristiques électriques

Consommation électrique totale (W)	9
Primary Supply/Product voltage - min (V)	220
Primary Supply/Product voltage - max (V)	240
Lamp power factor	0.9
THD (at 230 V, 50 Hz, full load, at 100% dimming level) ≤ xx.x %	20
Electrical protection	Class I
Type d'appareillage	LED driver constant current
Dimmable	No
Dimming method	N/A
Drive current (mA)	19
Courant d'appel (A)	18
Inrush Duration (µs)	125
Energy Efficiency Class (A->G) of contained light source	E
Nominal Frequency (Hz)	50/60Hz
LED Flickering Rate	Low (6% - 20%)
Max. products per 10A C Breaker	17
Max. products per 13A C Breaker	22
Max. products per 16A C Breaker	28
Max. products per 20A C Breaker	34
Max. products per 10A B Breaker	10
Max. products per 13A B Breaker	13
Max. products per 16A B Breaker	17
Max. products per 20A B Breaker	21
Connectable conductor cross section - Min (mm ²)	0.5
Connectable conductor cross section - Max (mm ²)	1.5

Durée de vie

Lifespan L70 B50	90000
Lifespan L80 B50	85000
Lifespan L80 B20	54000

Start Flood Flat IP65 1000LM 840 Black

Code article 0050106

SYLVANIA

Données physiques

Housing colour	Black
IP rating	IP65
IK rating	IK06
Diffuser finish	Transparent
Diffuser material	Safety tempered glass
Finition réflecteur	Not Applicable
Longueur (mm)	100
Largeur (mm)	105
Nominal Product Height (mm)	23
Poids (kg)	0.32

Emballage

Product EAN number	5410288501062
Longueur simple de l'emballage (cm)	13.0
Largeur simple de l'emballage (cm)	5.5
Packaging single depth (cm)	15.5
DUN14 (inner)	15410288501069
Units per outer package	6
Packaging outer length / height (cm)	36.0
Packaging outer width (cm)	14.5
Packaging outer depth (cm)	17.5

Sécurité

Glow Wire Test (°C)	650
Condition de fonctionnement optimal (° C)	-20-40