

START Downlight 5in1 65-260 1800LM

Code article 0053150

SYLVANIA

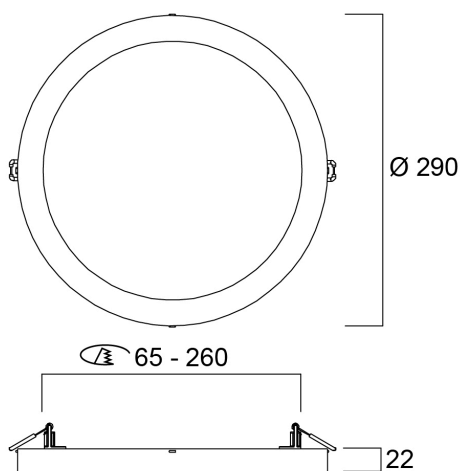
STARTTM



START Downlight 5in1 is an integrated LED recessed / surface mounted downlight with built in non dimmable driver. Colour temperature (3000K, 4000K and 6500K) can be adjusted by a 3-way switch located on the back of the fixture. Adaptability to various cut-outs from 65mm to 260mm

Atouts techniques

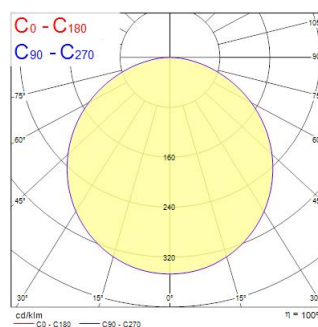
Dimensions (mm)



Photométrie

Distance [m]	Cone diameter [m]	E(0°) [lx]	E(C0) [lx]	E(C90) [lx]
0,5	1,55	2437	181	181
1,0	3,09	609	45	45
1,5	4,64	271	20	20
2,0	6,18	152	12	12
2,5	7,73	97	8	8
3,0	9,27	66	6	6

Distance [m] Cone diameter [m]
— C0 - C180 (Half beam angle: 114.2°)
Illuminance [lx]



START Downlight 5in1 65-260 1800LM

Code article 0053150

SYLVANIA

Données générales

Nom du produit	START Downlight 5in1 65-260 1800LM
Technologie	LED
Cap/Base	N/A
Housing	PC Polycarbonate
Montage	Ceiling recessed mounting, Ceiling surface mounting
Built in presence detector	NONE
General application	Residential & Consumer
Operating temperature range (°C)	-20°C...+40°C
Virtual assistant compatibility	N/A
ETIM Class	EC001744
Numéro virtuel FI	4278429
Warranty	3 ans

Données optiques

Fixture luminous flux (lm)	1800
Luminaire efficacy (lm/W)	100
Couleur de lumière	N/A
IRC (Ra)	80
Colour Variation Initial (SDCM)	SDCM6
Beam Angle (°)	110
Distribution type	Symmetric
Glare control	< 26
Photobiological Risk Group	RG0

Caractéristiques électriques

Consommation électrique totale (W)	18
Primary Supply/Product voltage - min (V)	220.0
Primary Supply/Product voltage - max (V)	240.0
Lamp power factor	0.7
THD (at 230 V, 50 Hz, full load, at 100% dimming level) ≤ xx.x %	85.0
Electrical protection	Class II
Type d'appareillage	LED driver constant current
Dimmable	No
Dimming method	N/A
Drive current (mA)	55
Courant d'appel (A)	2
Inrush Duration (µs)	100
Energy Efficiency Class (A->G) of contained light source	E
Nominal Frequency (Hz)	50/60Hz
LED Flickering Rate	Low (6% - 20%)
Max. products per 16A C Breaker	62
Max. products per 16A B Breaker	34
Connectable conductor cross section - Min (mm ²)	0.75
Connectable conductor cross section - Max (mm ²)	1.5

Durée de vie

Lifespan L70 B50	55000
Lifespan L80 B10	30000

START Downlight 5in1 65-260 1800LM

Code article 0053150

SYLVANIA

Données physiques

Housing colour	RAL 9003 - Signal white
IP rating	IP20
IK rating	IK05
Diffuser finish	Opal
Diffuser material	PC Polycarbonate
Finition réflecteur	Not Applicable
Nominal Product Height (mm)	22
Nominal Product Diameter (mm)	290
Poids (kg)	0.633

Emballage

Product EAN number	5410288531502
Longueur simple de l'emballage (cm)	30.6
Largeur simple de l'emballage (cm)	4.3
Packaging single depth (cm)	29.8
DUN14 (inner)	15410288531509
Units per outer package	8
Packaging outer length / height (cm)	36.5
Packaging outer width (cm)	32.0
Packaging outer depth (cm)	32.3

Sécurité

Glow Wire Test (°C)	650
Condition de fonctionnement optimal (° C)	-20-40