

# BRUSHED CHROME BEZEL 301

Code article 0053155

**SYLVANIA**

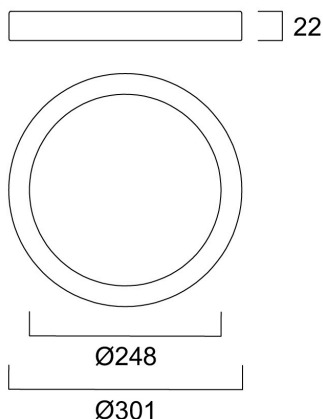
**START**<sup>TM</sup>



Brushed Chrome bezel as an optional accessory for START Downlight 5in1 . Can be attached to the product in a few seconds with the help of the twist and lock mechanism

## Atouts techniques

### Dimensions (mm)



### Photométrie

### Données générales

Nom du produit	BRUSHED CHROME BEZEL 301
Technologie	LED
Type of accessory	Front ring
General application	Residential & Consumer
ETIM Class	EC002557
Numéro virtuel FI	4278439
Warranty	3 ans

### Données physiques

Nominal Product Height (mm)	22
Nominal Product Diameter (mm)	301
Poids (kg)	0.22

# BRUSHED CHROME BEZEL 301

Code article 0053155

**SYLVANIA**

## Emballage

Product EAN number	5410288531557
Longueur simple de l'emballage (cm)	30.6
Largeur simple de l'emballage (cm)	2.7
Packaging single depth (cm)	30.6
DUN14 (inner)	15410288531554
Units per outer package	16
Packaging outer length / height (cm)	46.1
Packaging outer width (cm)	32.0
Packaging outer depth (cm)	33.1