

START eco Downlight 5in1 55-175 2000LM PIR

Code article 0053394

SYLVANIA

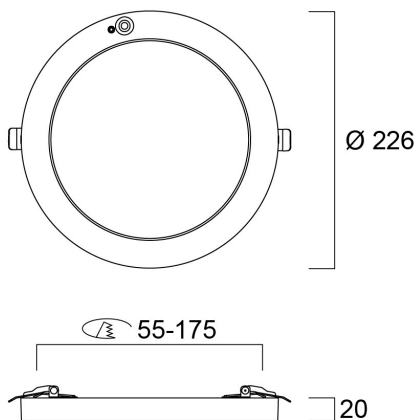
STARTTM



START eco Downlight 5in1 is an integrated LED recessed / surface mounted downlight with built in non dimmable driver and PIR sensor. PIR sensor with time settings (3 min max) and adjustable daylight lux level. Colour temperature (3000K, 4000K and 6500K) can be chosen by a 3-way switch located on the back of the fixture. Adaptability to various cut-outs from 55mm to 175mm. 21W, 2000lm, 95lm/W.

Atouts techniques

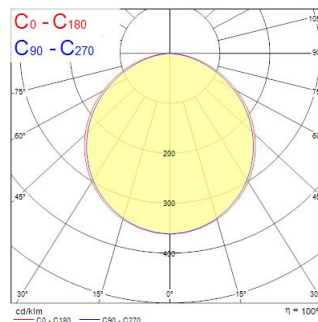
Dimensions (mm)



Photométrie

Distance [m]	Cone diameter [m]	Beam angle [°]	Beam angle [°]	Illuminance [lx]
0.5	1.41 1.48	50°	54.7°	240 228
1.0	2.82 2.96	50°	54.7°	615 59
1.5	4.24 4.46	50°	54.7°	273 26
2.0	5.65 5.95	50°	54.7°	154 15
2.5	7.06 7.44	50°	54.7°	98 9
3.0	8.47 8.93	50°	54.7°	68 6

Distance [m] Cone diameter [m] Illuminance [lx]
 — C0 - C180 (Half beam angle: 112.2°)
 — C90 - C270 (Half beam angle: 109.4°)



START eco Downlight 5in1 55-175 2000LM PIR

Code article 0053394

SYLVANIA

Données générales

Nom du produit	START eco Downlight 5in1 55-175 2000LM PIR
Technologie	LED
Housing	PC Polycarbonate
Montage	Ceiling recessed mounting
Built in presence detector	PIR
General application	Residential & Consumer
Operating temperature range (°C)	-20°C...+25°C
Performance ambient temperature Tq (°C)	25
ETIM Class	EC001744
Numéro virtuel FI	4278104
Warranty	3 ans

Données optiques

Fixture luminous flux (lm)	2000
Luminaire efficacy (lm/W)	95
Température de couleur (K)	4000
IRC (Ra)	80
Colour Variation Initial (SDCM)	SDCM6
Beam Angle (°)	110
Distribution type	Symmetric
Glare control	< 25
Photobiological Risk Group	RG0

Caractéristiques électriques

Consommation électrique totale (W)	21
THD (at 230 V, 50 Hz, full load, at 100% dimming level) ≤ xx.x %	22
Electrical protection	Class II
Type d'appareillage	LED driver constant current
Dimmable	No
Drive current (mA)	210
Courant d'appel (A)	25
Inrush Duration (µs)	100
Energy Efficiency Class (A->G) of contained light source	D
Nominal Frequency (Hz)	50/60Hz
LED Flickering Rate	Ultra low (5% or less)
Max. products per 10A C Breaker	71
Max. products per 13A C Breaker	93
Max. products per 16A C Breaker	114
Max. products per 20A C Breaker	143

Durée de vie

Lifespan L70 B50	30000
------------------	-------

Données physiques

Housing colour	RAL 9003 - Signal white
IP rating	IP20
IK rating	IK03
Longueur (mm)	226
Largeur (mm)	226
Nominal Product Height (mm)	20
Nominal Product Diameter (mm)	226
Poids (kg)	0.465
Recessed Depth (mm)	50

START eco Downlight 5in1 55-175 2000LM PIR

Code article 0053394

SYLVANIA

Emballage

Product EAN number	5410288533940
Longueur simple de l'emballage (cm)	24.0
Largeur simple de l'emballage (cm)	23.0
Packaging single depth (cm)	4.7
DUN14 (inner)	15410288533947
Units per outer package	14
Packaging outer length / height (cm)	50.4
Packaging outer width (cm)	35.8
Packaging outer depth (cm)	25.3

Sécurité

Glow Wire Test (°C)	650
Condition de fonctionnement optimal (° C)	-20-25