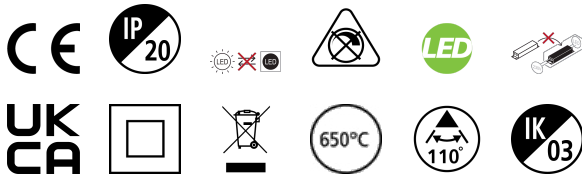


START eco Downlight 5in1 50-125 600LM

Code article 0053412

SYLVANIA

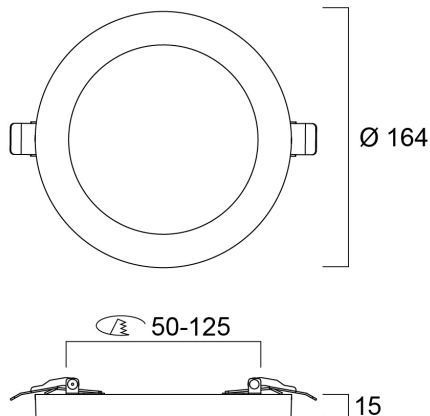
STARTTM



START eco Downlight 5in1 is an integrated LED recessed / surface mounted downlight with built in non dimmable driver. Colour temperature (3000K, 4000K and 6500K) can be adjusted by a 3-way switch located on the back of the fixture. Adaptability to various cut-outs from 50mm to 125mm. 6W, 600lm, 100lm/W.

Atouts techniques

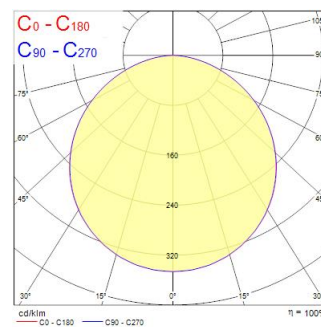
Dimensions (mm)



Photométrie

Distance [m]	Cone diameter [m]	E171 E170	E171 E170	300 15
0.5	1.51	E171 E170	98.8°	300 15
1.0	3.02	E171 E170	98.8°	225 15
1.5	4.53	E171 E170	98.8°	150 15
2.0	6.04	E171 E170	98.8°	112 15
2.5	7.55	E171 E170	98.8°	84 15
3.0	9.07	E171 E170	98.8°	63 15

Distance [m] Cone diameter [m]
 — C0 - C180 (Half beam angle: 113.0°)
 — Illuminance [lx]



START eco Downlight 5in1 50-125 600LM

Code article 0053412

SYLVANIA

Données générales

Nom du produit	START eco Downlight 5in1 50-125 600LM
Technologie	LED
Housing	PC Polycarbonate
Montage	Ceiling recessed mounting
General application	Residential & Consumer
Operating temperature range (°C)	-20°C...+40°C
Performance ambient temperature Tq (°C)	40
ETIM Class	EC001744
Numéro virtuel FI	4278099
Warranty	3 ans

Données optiques

Fixture luminous flux (lm)	600
Luminaire efficacy (lm/W)	100
Température de couleur (K)	4000
IRC (Ra)	80
Colour Variation Initial (SDCM)	SDCM6
Beam Angle (°)	110
Distribution type	Symmetric
Glare control	< 22
Photobiological Risk Group	RG0

Caractéristiques électriques

Consommation électrique totale (W)	6
THD (at 230 V, 50 Hz, full load, at 100% dimming level) ≤ xx.x %	22
Electrical protection	Class II
Type d'appareillage	LED driver constant current
Dimmable	No
Drive current (mA)	65
Courant d'appel (A)	25
Inrush Duration (µs)	100
Energy Efficiency Class (A->G) of contained light source	D
Nominal Frequency (Hz)	50/60Hz
LED Flickering Rate	Ultra low (5% or less)
Max. products per 10A C Breaker	100
Max. products per 13A C Breaker	130
Max. products per 16A C Breaker	160
Max. products per 20A C Breaker	200

Durée de vie

Lifespan L70 B50	30000
------------------	-------

Données physiques

Housing colour	RAL 9003 - Signal white
IP rating	IP20
IK rating	IK03
Longueur (mm)	164
Largeur (mm)	164
Nominal Product Height (mm)	15
Nominal Product Diameter (mm)	164
Poids (kg)	0.315
Recessed Depth (mm)	50

START eco Downlight 5in1 50-125 600LM

Code article 0053412

SYLVANIA

Emballage

Product EAN number	5410288534121
Longueur simple de l'emballage (cm)	20.3
Largeur simple de l'emballage (cm)	19.2
Packaging single depth (cm)	4.8
DUN14 (inner)	15410288534128
Units per outer package	20
Packaging outer length / height (cm)	43.0
Packaging outer width (cm)	26.7
Packaging outer depth (cm)	40.8

Sécurité

Glow Wire Test (°C)	650
Condition de fonctionnement optimal (° C)	-20-40