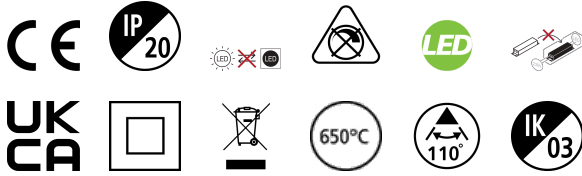


START eco Downlight 5in1 55-175 1850LM

Code article 0053414

SYLVANIA

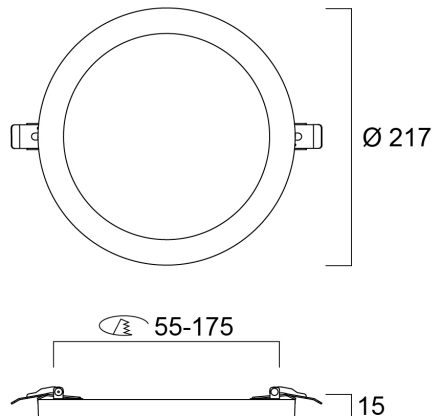
STARTTM



START eco Downlight 5in1 is an integrated LED recessed / surface mounted downlight with built in non dimmable driver. Colour temperature (3000K, 4000K and 6500K) can be adjusted by a 3-way switch located on the back of the fixture. Adaptability to various cut-outs from 55mm to 175mm. 18W, 1850lm, 103lm/W.

Atouts techniques

Dimensions (mm)

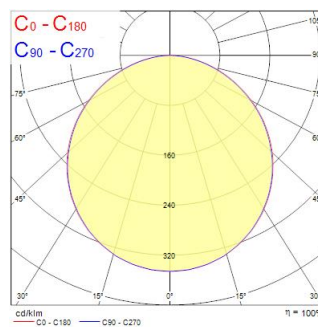


Photométrie

0.5	1.49 1.52	E17 E180 E270	280 221 121
1.0	2.99 3.04	E17 E180 E270	640 508 268
1.5	4.48 4.57	E17 E180 E270	284 228 124
2.0	5.96 6.09	E17 E180 E270	180 144 76
2.5	7.47 7.61	E17 E180 E270	102 81 43
3.0	8.96 9.13	E17 E180 E270	71 56 30

Distance [m] Cone diameter [m] Illuminance [lx]

— C0 - C180 (Half beam angle: 113.4°)
— C90 - C270 (Half beam angle: 112.4°)



START eco Downlight 5in1 55-175 1850LM

Code article 0053414

SYLVANIA

Données générales

Nom du produit	START eco Downlight 5in1 55-175 1850LM
Technologie	LED
Housing	PC Polycarbonate
Montage	Ceiling recessed mounting
General application	Residential & Consumer
Operating temperature range (°C)	-20°C...+40°C
Performance ambient temperature Tq (°C)	40
ETIM Class	EC001744
Numéro virtuel FI	4278101
Warranty	3 ans

Données optiques

Fixture luminous flux (lm)	1850
Luminaire efficacy (lm/W)	103
Température de couleur (K)	4000
IRC (Ra)	80
Colour Variation Initial (SDCM)	SDCM6
Beam Angle (°)	110
Distribution type	Symmetric
Glare control	< 24
Photobiological Risk Group	RG0

Caractéristiques électriques

Consommation électrique totale (W)	18
THD (at 230 V, 50 Hz, full load, at 100% dimming level) ≤ xx.x %	22
Electrical protection	Class II
Type d'appareillage	LED driver constant current
Dimmable	No
Drive current (mA)	190
Courant d'appel (A)	25
Inrush Duration (µs)	100
Energy Efficiency Class (A->G) of contained light source	D
Nominal Frequency (Hz)	50/60Hz
LED Flickering Rate	Ultra low (5% or less)
Max. products per 10A C Breaker	71
Max. products per 13A C Breaker	93
Max. products per 16A C Breaker	114
Max. products per 20A C Breaker	143

Durée de vie

Lifespan L70 B50	30000
------------------	-------

Données physiques

Housing colour	RAL 9003 - Signal white
IP rating	IP20
IK rating	IK03
Longueur (mm)	217
Largeur (mm)	217
Nominal Product Height (mm)	15
Nominal Product Diameter (mm)	217
Poids (kg)	0.459
Recessed Depth (mm)	50

START eco Downlight 5in1 55-175 1850LM

Code article 0053414

SYLVANIA

Emballage

Product EAN number	5410288534145
Longueur simple de l'emballage (cm)	24.7
Largeur simple de l'emballage (cm)	23.4
Packaging single depth (cm)	4.8
DUN14 (inner)	15410288534142
Units per outer package	14
Packaging outer length / height (cm)	51.8
Packaging outer width (cm)	36.5
Packaging outer depth (cm)	25.7

Sécurité

Glow Wire Test (°C)	650
Condition de fonctionnement optimal (° C)	-20-40