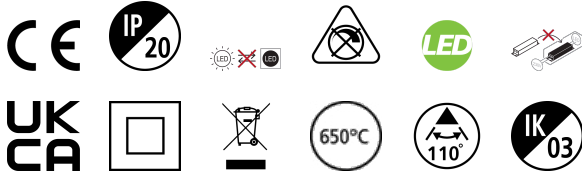


START eco Downlight 5in1 55-250 2500LM

Code article 0053416

SYLVANIA

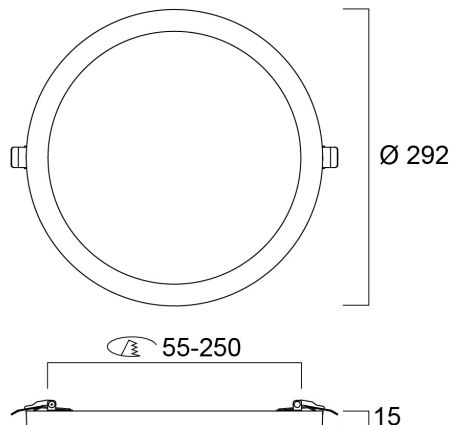
STARTTM



START eco Downlight 5in1 is an integrated LED recessed / surface mounted downlight with built in non dimmable driver. Colour temperature (3000K, 4000K and 6500K) can be adjusted by a 3-way switch located on the back of the fixture. Adaptability to various cut-outs from 55mm to 250mm. 23W, 2500lm, 109lm/W.

Atouts techniques

Dimensions (mm)

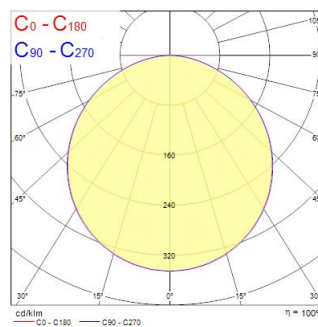


Photométrie

Distance (m)	Cone diameter (m)	Beam angle (°)	Beam diameter (m)	Illuminance (lx)
0.5	1.51 1.50	90° 90°	213 202	236 250
1.0	3.02 3.00	90° 90°	426 404	118 125
1.5	4.53 4.50	90° 90°	639 606	53 57
2.0	6.04 6.00	90° 90°	852 808	30 31
2.5	7.55 7.50	90° 90°	1065 1012	18 19
3.0	9.07 9.00	90° 90°	1278 1216	11 12

Distance (m) Cone diameter (m) Illuminance (lx)

— C0 - C180 (Half beam angle: 112.0°) — C90 - C270 (Half beam angle: 113.0°)



START eco Downlight 5in1 55-250 2500LM

Code article 0053416

SYLVANIA

Données générales

Nom du produit	START eco Downlight 5in1 55-250 2500LM
Technologie	LED
Housing	PC Polycarbonate
Montage	Ceiling recessed mounting
General application	Residential & Consumer
Operating temperature range (°C)	-20°C...+40°C
Performance ambient temperature Tq (°C)	40
ETIM Class	EC001744
Numéro virtuel FI	4278103
Warranty	3 ans

Données optiques

Fixture luminous flux (lm)	2500
Luminaire efficacy (lm/W)	109
Température de couleur (K)	4000
IRC (Ra)	80
Colour Variation Initial (SDCM)	SDCM6
Beam Angle (°)	110
Distribution type	Symmetric
Glare control	< 26
Photobiological Risk Group	RG0

Caractéristiques électriques

Consommation électrique totale (W)	23
THD (at 230 V, 50 Hz, full load, at 100% dimming level) ≤ xx.x %	22
Electrical protection	Class II
Type d'appareillage	LED driver constant current
Dimmable	No
Drive current (mA)	260
Courant d'appel (A)	25
Inrush Duration (µs)	100
Energy Efficiency Class (A->G) of contained light source	D
Nominal Frequency (Hz)	50/60Hz
LED Flickering Rate	Ultra low (5% or less)
Max. products per 10A C Breaker	63
Max. products per 13A C Breaker	81
Max. products per 16A C Breaker	100
Max. products per 20A C Breaker	125

Durée de vie

Lifespan L70 B50	30000
------------------	-------

Données physiques

Housing colour	RAL 9003 - Signal white
IP rating	IP20
IK rating	IK03
Nominal Product Height (mm)	15
Nominal Product Diameter (mm)	290
Poids (kg)	0.72
Recessed Depth (mm)	50

START eco Downlight 5in1 55-250 2500LM

Code article 0053416

SYLVANIA

Emballage

Product EAN number	5410288534169
Longueur simple de l'emballage (cm)	31.2
Largeur simple de l'emballage (cm)	30.0
Packaging single depth (cm)	4.8
DUN14 (inner)	15410288534166
Units per outer package	8
Packaging outer length / height (cm)	41.4
Packaging outer width (cm)	33.5
Packaging outer depth (cm)	32.3

Sécurité

Glow Wire Test (°C)	650
Condition de fonctionnement optimal (° C)	-20-40