

# Brushed Chrome Bezel 220

Code article 0053435

**SYLVANIA**

**START**<sup>TM</sup>

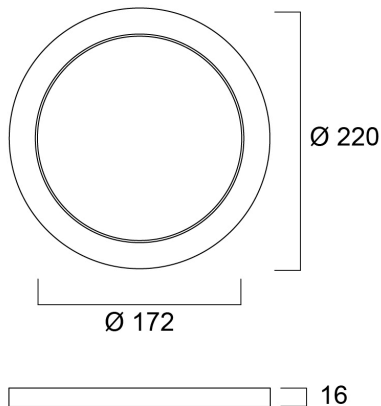
CE UK  
CA



Brushed Chrome bezel as an optional accessory for START eco Downlight 5in1 (compatible SKU of 0053414). Can be attached to the product in a few seconds with the help of the magnetic design.

## Atouts techniques

### Dimensions (mm)



### Photométrie

### Données générales

Nom du produit	Brushed Chrome Bezel 220
Technologie	Accessory
General application	Residential & Consumer
ETIM Class	EC002557
Numéro virtuel FI	4278106
Warranty	3 ans

### Données physiques

Longueur (mm)	220
Largeur (mm)	220
Nominal Product Height (mm)	16
Poids (kg)	0.12

# Brushed Chrome Bezel 220

Code article 0053435

**SYLVANIA**

## Emballage

Product EAN number	5410288534350
Longueur simple de l'emballage (cm)	22.4
Largeur simple de l'emballage (cm)	22.4
Packaging single depth (cm)	2.0
DUN14 (inner)	15410288534357
Units per outer package	20
Packaging outer length / height (cm)	46.5
Packaging outer width (cm)	22.5
Packaging outer depth (cm)	24.0