

# Brushed Chrome Bezel 295

Code article 0053436

**SYLVANIA**

**START**<sup>TM</sup>

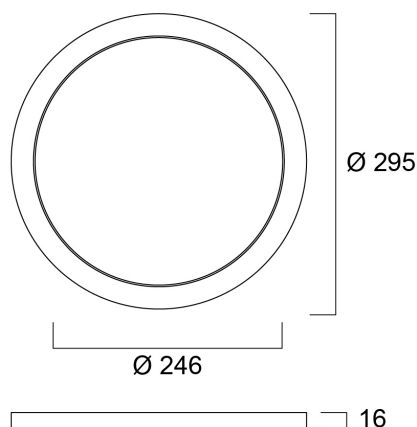
**CE UK  
CA**



Brushed Chrome bezel as an optional accessory for START eco Downlight 5in1 (compatible SKUs of 0053415, 0053416). Can be attached to the product in a few seconds with the help of the magnetic design.

## Atouts techniques

### Dimensions (mm)



### Photométrie

### Données générales

Nom du produit	Brushed Chrome Bezel 295
Technologie	Accessory
General application	Residential & Consumer
ETIM Class	EC002557
Numéro virtuel FI	4278107
Warranty	3 ans

### Données physiques

Longueur (mm)	295
Largeur (mm)	295
Nominal Product Height (mm)	16
Poids (kg)	0.17

# Brushed Chrome Bezel 295

Code article 0053436

**SYLVANIA**

## Emballage

Product EAN number	5410288534367
Longueur simple de l'emballage (cm)	29.9
Largeur simple de l'emballage (cm)	29.9
Packaging single depth (cm)	2.0
DUN14 (inner)	15410288534364
Units per outer package	10
Packaging outer length / height (cm)	31.5
Packaging outer width (cm)	22.5
Packaging outer depth (cm)	31.5