

# START SPOT LED IP65 3000K

Code article 0053545

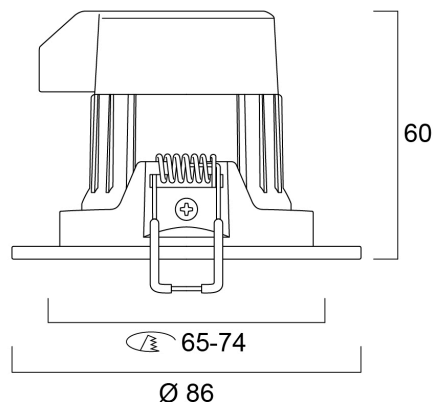
**SYLVANIA**



Integrated LED IP65 from the front fixed downlight, RAL9016, 540LM, 6.5W, 3000K, 100 degree beam angle, polycarbonate white body, low profile 60mm recessed depth, 86mm bezel diameter, 68-74mm cutout, frosted lens.

## Atouts techniques

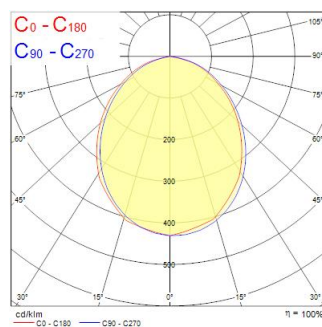
### Dimensions (mm)



### Photométrie

Distance [m]	Cone diameter [m]	Beam angle [°]	Illuminance [lx]
0.5	1.18	99.6°	696
1.0	2.37	99.6°	174
1.5	3.55	99.6°	78
2.0	4.73	99.6°	44
2.5	5.92	99.6°	28
3.0	7.10	99.6°	19

Distance [m] Cone diameter [m] Illuminance [lx]  
C0 - C180 (Half beam angle: 99.6°)



# START SPOT LED IP65 3000K

Code article 0053545

**SYLVANIA**

## Données générales

Nom du produit	START SPOT LED IP65 3000K
Technologie	LED
Housing	PC Polycarbonate
Montage	Ceiling recessed mounting
General application	Residential & Consumer
Operating temperature range (°C)	-10°C...+40°C
Performance ambient temperature Tq (°C)	25
ETIM Class	EC001744
Numéro virtuel FI	4170526
Numéro virtuel SE	7467947
Warranty	3 ans

## Données optiques

Fixture luminous flux (lm)	540
Luminaire efficacy (lm/W)	83
LOR (%)	100
Température de couleur (K)	3000
Couleur de lumière	Warm White
IRC (Ra)	80
Colour Variation Initial (SDCM)	SDCM6
Chromaticité réglable	N
Beam Angle (°)	100
Distribution type	Direct
Glare control	< 33
Photobiological Risk Group	RG0

## Caractéristiques électriques

Consommation électrique totale (W)	6.5
Lamp power factor	0.5
Electrical protection	Class II
Dimmable	No
Dimming method	N/A
Drive current (mA)	70
Courant d'appel (A)	8
Inrush Duration (µs)	276
Nominal Frequency (Hz)	50/60Hz
LED Flickering Rate	Medium (21% - 40%)
Max. products per 10A C Breaker	9
Max. products per 13A C Breaker	12
Max. products per 16A C Breaker	13
Max. products per 20A C Breaker	13

## Durée de vie

Lifespan L70 B50	25000
------------------	-------

## Données physiques

Housing colour	White
IP rating	IP65/20
IK rating	IK03
Diffuser finish	Opal
Diffuser material	PMMA Acrylic
Longueur (mm)	86
Largeur (mm)	86
Nominal Product Height (mm)	60
Nominal Product Diameter (mm)	86
Poids (kg)	0.076
Recessed Depth (mm)	60

# START SPOT LED IP65 3000K

Code article 0053545

**SYLVANIA**

## Emballage

Product EAN number	5410288535456
Longueur simple de l'emballage (cm)	9.0
Largeur simple de l'emballage (cm)	7.5
Packaging single depth (cm)	9.0
DUN14 (inner)	15410288535453
Units per inner package	6
Packaging inner length / height (cm)	28.5
Packaging inner width (cm)	9.0
Packaging inner depth (cm)	19.0
DUN14 (outer)	25410288535450
Units per outer package	48
Packaging outer length / height (cm)	38.0
Packaging outer width (cm)	30.0
Packaging outer depth (cm)	40.5

## Sécurité

Glow Wire Test (°C)	650
Condition de fonctionnement optimal (° C)	-10-40