

# START eco Downlight 145 950lm 840

Code article 0053915

**SYLVANIA**

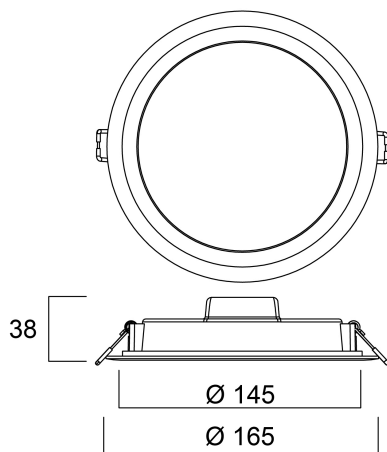
**START**<sup>TM</sup>



START eco Downlight is an integrated LED recessed downlight with built-in non dimmable driver; Loop in loop out connector allows for quick installation; 12W; 950Lm; 79Lm/W; 4000K.

## Atouts techniques

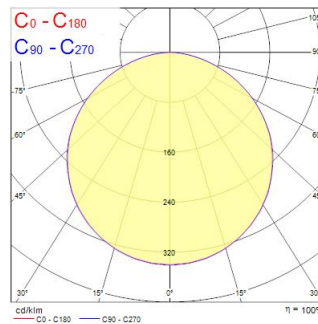
### Dimensions (mm)



### Photométrie

Distance [m]	Cone diameter [m]	Beam angle [°]	Beam angle [°]	Illuminance [lx]
0.5	1.56	57.3°	120°	100
	1.56	57.3°	100	151
		57.3°	100	151
1.0	3.12	57.3°	324	25
	3.12	57.3°	25	35
		57.3°	25	35
1.5	4.67	57.3°	144	11
	4.67	57.3°	11	11
		57.3°	11	11
2.0	6.22	57.3°	81	6
	6.22	57.3°	6	6
		57.3°	6	6
2.5	7.78	57.3°	54	4
	7.78	57.3°	4	4
		57.3°	4	4
3.0	9.33	57.3°	36	3
	9.33	57.3°	3	3
		57.3°	3	3

Distance [m]    Cone diameter [m]    Illuminance [lx]  
 — C0 - C180 (Half beam angle: 114.0°)  
 — C90 - C270 (Half beam angle: 114.0°)



# START eco Downlight 145 950lm 840

Code article 0053915

**SYLVANIA**

## Données générales

Nom du produit	START eco Downlight 145 950lm 840
Technologie	LED
Cap/Base	N/A
Housing	PC Polycarbonate
Montage	Ceiling recessed mounting
General application	Retail
Operating temperature range (°C)	-20°C...+40°C
Performance ambient temperature Tq (°C)	25
ETIM Class	EC001744
Warranty	3 ans

## Données optiques

Fixture luminous flux (lm)	950
Luminaire efficacy (lm/W)	79
Température de couleur (K)	4000
Couleur de lumière	Neutral White
IRC (Ra)	80
Colour Variation Initial (SDCM)	SDCM6
Beam Angle (°)	110
Distribution type	Symmetric
Glare control	< 28
Photobiological Risk Group	RG0

## Caractéristiques électriques

Consommation électrique totale (W)	12
Primary Supply/Product voltage - min (V)	220
Primary Supply/Product voltage - max (V)	240
Lamp power factor	0.5
THD (at 230 V, 50 Hz, full load, at 100% dimming level) ≤ xx.x %	115.0
Electrical protection	Class II
Control gear required	No
Dimmable	No
Dimming method	N/A
Drive current (mA)	85
Courant d'appel (A)	9
Inrush Duration (µs)	180
Energy Efficiency Class (A->G) of contained light source	F
Nominal Frequency (Hz)	50/60Hz
LED Flickering Rate	Medium (21% - 40%)
Max. products per 10A C Breaker	109
Max. products per 13A C Breaker	142
Max. products per 16A C Breaker	175
Max. products per 20A C Breaker	220
Max. products per 10A B Breaker	64
Max. products per 13A B Breaker	84
Max. products per 16A B Breaker	104
Max. products per 20A B Breaker	131

## Durée de vie

Lifespan L70 B50 | 30000

# START eco Downlight 145 950lm 840

Code article 0053915

**SYLVANIA**

## Données physiques

Housing colour	RAL 9003 - Signal white
IP rating	IP20
IK rating	IK02
Diffuser finish	Opal
Diffuser material	PC Polycarbonate
Nominal Product Height (mm)	38
Nominal Product Diameter (mm)	165
Poids (kg)	0.184

## Emballage

Product EAN number	5410288539157
Longueur simple de l'emballage (cm)	19.5
Largeur simple de l'emballage (cm)	4.5
Packaging single depth (cm)	16.5
DUN14 (inner)	15410288539154
Units per outer package	12
Packaging outer length / height (cm)	35.4
Packaging outer width (cm)	21.3
Packaging outer depth (cm)	30.3

## Sécurité

Glow Wire Test (°C)	650
Condition de fonctionnement optimal (° C)	-20-40