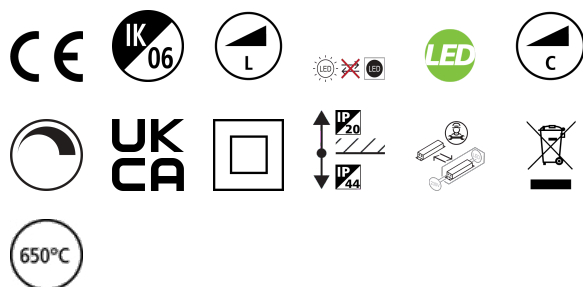


# Sylflat 155 IP44 1000lm 830 DIM

Code article 0053952

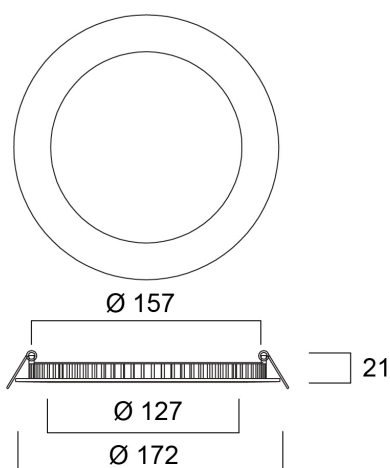
**SYLVANIA**



Sylflat DIM is an integrated LED recessed downlight with separated phase dimmable driver and loop in- out box, 12W; 1000Lm; 83Lm/W; 3000K; IP44 rated from the front; 50,000hrs (L70B50).

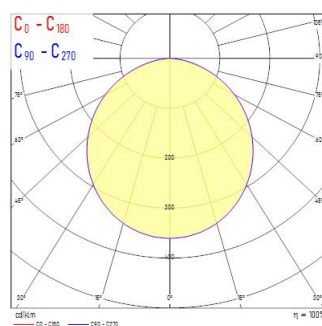
## Atouts techniques

### Dimensions (mm)



### Photométrie

Distance [m]	Cone diameter [m]	Beam angle [°]	Beam diameter [m]	Illuminance [lx]
0.5	1.43	110.27	1.43	1277
	1.43		1.43	129
1.0	2.87	110.27	2.87	344
	2.86		2.86	32
1.5	4.30	110.27	4.30	153
	4.28		4.28	14
2.0	5.73	110.27	5.73	66
	5.71		5.71	6
2.5	7.17	110.27	7.17	35
	7.14		7.14	6
3.0	8.60	110.27	8.60	20
	8.57		8.57	4



# Sylflat 155 IP44 1000lm 830 DIM

Code article 0053952

**SYLVANIA**

## Données générales

Nom du produit	Sylflat 155 IP44 1000lm 830 DIM
Technologie	LED
Housing	Aluminium
Montage	Ceiling recessed mounting
General application	Hospitality
Operating temperature range (°C)	-20°C...+40°C
Performance ambient temperature Tq (°C)	25
ETIM Class	EC001744
Numéro virtuel FI	4278186
Warranty	5 ans

## Données optiques

Fixture luminous flux (lm)	1000
Luminaire efficacy (lm/W)	83
Température de couleur (K)	3000
Couleur de lumière	Warm White
IRC (Ra)	80
Colour Variation Initial (SDCM)	SDCM3
Beam Angle (°)	120
Distribution type	Symmetric
Glare control	< 28
Photobiological Risk Group	RG0

## Caractéristiques électriques

Consommation électrique totale (W)	12
Primary Supply/Product voltage - min (V)	220
Primary Supply/Product voltage - max (V)	240
Lamp power factor	0.9
THD (at 230 V, 50 Hz, full load, at 100% dimming level) ≤ xx.x %	20.0
Electrical protection	Class II
Control gear required	No
Type d'appareillage	LED driver constant current
Dimmable	Yes
Dimming method	Mains: leading / trailing edge
Drive current (mA)	300
Courant d'appel (A)	2.35
Inrush Duration (µs)	120
Energy Efficiency Class (A->G) of contained light source	E
Nominal Frequency (Hz)	50Hz
LED Flickering Rate	Ultra low (5% or less)
Max. products per 10A C Breaker	95
Max. products per 13A C Breaker	124
Max. products per 16A C Breaker	152
Max. products per 20A C Breaker	190
Max. products per 10A B Breaker	95
Max. products per 13A B Breaker	124
Max. products per 16A B Breaker	152
Max. products per 20A B Breaker	190

## Durée de vie

Lifespan L70 B50	60000
Lifespan L90 B10	23000

# Sylflat 155 IP44 1000lm 830 DIM

Code article 0053952

**SYLVANIA**

## Données physiques

Housing colour	RAL 9003 - Signal white
IP rating	IP44/20
IK rating	IK06
Diffuser finish	Opal
Diffuser material	PS Polystyrene
Nominal Product Height (mm)	21
Nominal Product Diameter (mm)	172
Poids (kg)	0.327

## Emballage

Product EAN number	5410288539522
Longueur simple de l'emballage (cm)	22.0
Largeur simple de l'emballage (cm)	17.5
Packaging single depth (cm)	4.2
DUN14 (inner)	15410288539529
Units per outer package	10
Packaging outer length / height (cm)	36.5
Packaging outer width (cm)	23.0
Packaging outer depth (cm)	23.5

## Sécurité

Glow Wire Test (°C)	650
Condition de fonctionnement optimal (° C)	-20-40