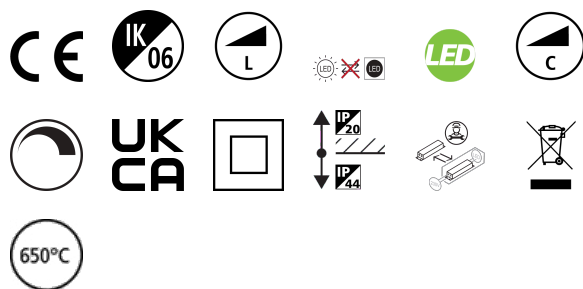


Sylflat 205 IP44 1550lm 830 DIM

Code article 0053954

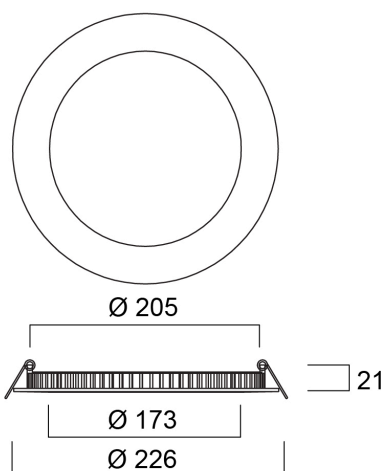
SYLVANIA



Sylflat DIM is an integrated LED recessed downlight with separated phase dimmable driver and loop in- out box, 17W; 1550Lm; 91Lm/W; 3000K; IP44 rated from the front; 50,000hrs (L70B50).

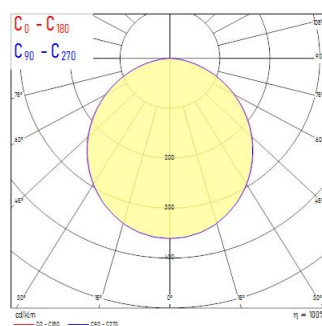
Atouts techniques

Dimensions (mm)



Photométrie

Distance [m]	Cone diameter [m]	Beam diameter [m]	Illuminance [lx]
0.5	1.43	Ø 130	2207
	1.41	Ø 127	209
1.0	2.86	Ø 260	552
	2.82	Ø 257	52
1.5	4.29	Ø 390	245
	4.24	Ø 387	23
2.0	5.71	Ø 510	138
	5.65	Ø 507	13
2.5	7.14	Ø 630	88
	7.06	Ø 627	8
3.0	8.57	Ø 750	61
	8.47	Ø 747	6



Sylflat 205 IP44 1550lm 830 DIM

Code article 0053954

SYLVANIA

Données générales

Nom du produit	Sylflat 205 IP44 1550lm 830 DIM
Technologie	LED
Housing	Aluminium
Montage	Ceiling recessed mounting
General application	Hospitality
Operating temperature range (°C)	-20°C...+40°C
Performance ambient temperature Tq (°C)	25
ETIM Class	EC001744
Numéro virtuel FI	4278188
Warranty	5 ans

Données optiques

Fixture luminous flux (lm)	1550
Luminaire efficacy (lm/W)	91
Température de couleur (K)	3000
Couleur de lumière	Warm White
IRC (Ra)	80
Colour Variation Initial (SDCM)	SDCM3
Beam Angle (°)	120
Distribution type	Symmetric
Glare control	< 28
Photobiological Risk Group	RG0

Caractéristiques électriques

Consommation électrique totale (W)	17
Primary Supply/Product voltage - min (V)	220
Primary Supply/Product voltage - max (V)	240
Lamp power factor	0.9
THD (at 230 V, 50 Hz, full load, at 100% dimming level) ≤ xx.x %	20.0
Electrical protection	Class II
Control gear required	No
Type d'appareillage	LED driver constant current
Dimmable	Yes
Dimming method	Mains: leading / trailing edge
Drive current (mA)	450
Courant d'appel (A)	4.16
Inrush Duration (µs)	112
Energy Efficiency Class (A->G) of contained light source	E
Nominal Frequency (Hz)	50Hz
LED Flickering Rate	Ultra low (5% or less)
Max. products per 10A C Breaker	67
Max. products per 13A C Breaker	87
Max. products per 16A C Breaker	107
Max. products per 20A C Breaker	133
Max. products per 10A B Breaker	67
Max. products per 13A B Breaker	87
Max. products per 16A B Breaker	107
Max. products per 20A B Breaker	133

Durée de vie

Lifespan L70 B50	60000
Lifespan L90 B10	23000

Sylflat 205 IP44 1550lm 830 DIM

Code article 0053954

SYLVANIA

Données physiques

Housing colour	RAL 9003 - Signal white
IP rating	IP44/20
IK rating	IK06
Diffuser finish	Opal
Diffuser material	PS Polystyrene
Nominal Product Height (mm)	21
Nominal Product Diameter (mm)	226
Poids (kg)	0.457

Emballage

Product EAN number	5410288539546
Longueur simple de l'emballage (cm)	27.5
Largeur simple de l'emballage (cm)	23.0
Packaging single depth (cm)	4.2
DUN14 (inner)	15410288539543
Units per outer package	10
Packaging outer length / height (cm)	47.5
Packaging outer width (cm)	23.0
Packaging outer depth (cm)	29.0

Sécurité

Glow Wire Test (°C)	650
Condition de fonctionnement optimal (° C)	-20-40