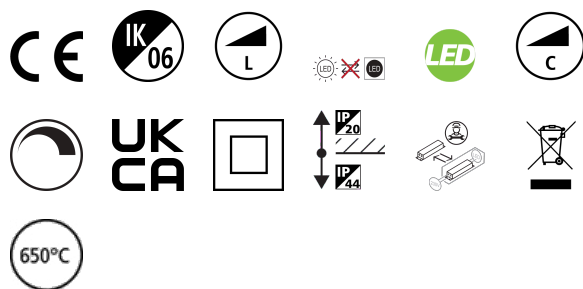


# Sylflat 105 IP44 600lm 840 DIM

Code article 0053989

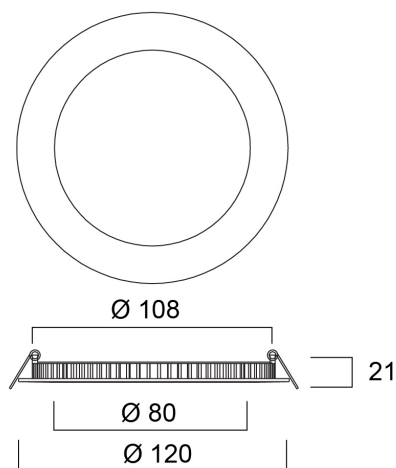
**SYLVANIA**



Sylflat DIM is an integrated LED recessed downlight with a separate phase dimmable driver and Loop in out box; 7W; 600Lm; 86Lm/W; 4000K; IP44 rated from the front; 50,000hrs (L70B50).

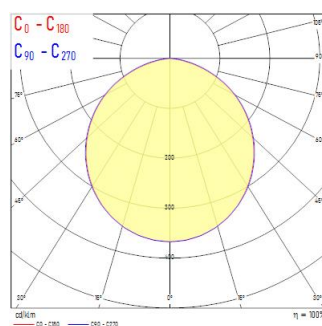
## Atouts techniques

### Dimensions (mm)



### Photométrie

Distance [m]	Core diameter [m]	Beam diameter [m]	Beam angle [°]	Illuminance [lx]
0.5	1.41	1.43	54°	980
			55°	54
1.0	2.81	2.86	54°	248
			55°	21
1.5	4.22	4.28	54°	98
			55°	9
2.0	5.63	5.71	54°	54
			55°	6
2.5	7.04	7.14	54°	35
			55°	4
3.0	8.44	8.57	54°	24
			55°	2



# Sylflat 105 IP44 600lm 840 DIM

Code article 0053989

**SYLVANIA**

## Données générales

Nom du produit	Sylflat 105 IP44 600lm 840 DIM
Technologie	LED
Housing	Aluminium
Montage	Ceiling recessed mounting
General application	Hospitality
Operating temperature range (°C)	-20°C...+40°C
Performance ambient temperature Tq (°C)	25
ETIM Class	EC001744
Numéro virtuel FI	4278198
Warranty	5 ans

## Données optiques

Fixture luminous flux (lm)	600
Luminaire efficacy (lm/W)	85
Température de couleur (K)	4000
Couleur de lumière	Cool White
IRC (Ra)	80
Colour Variation Initial (SDCM)	SDCM3
Beam Angle (°)	120
Distribution type	Symmetric
Glare control	< 28
Photobiological Risk Group	RG0

## Caractéristiques électriques

Consommation électrique totale (W)	7
Primary Supply/Product voltage - min (V)	220
Primary Supply/Product voltage - max (V)	240
Lamp power factor	0.9
THD (at 230 V, 50 Hz, full load, at 100% dimming level) ≤ xx.x %	20.0
Electrical protection	Class II
Control gear required	No
Type d'appareillage	LED driver constant current
Dimmable	Yes
Dimming method	Mains: leading / trailing edge
Drive current (mA)	180
Courant d'appel (A)	2.35
Inrush Duration (µs)	120
Energy Efficiency Class (A->G) of contained light source	E
Nominal Frequency (Hz)	50Hz
LED Flickering Rate	Ultra low (5% or less)
Max. products per 10A C Breaker	133
Max. products per 13A C Breaker	173
Max. products per 16A C Breaker	213
Max. products per 20A C Breaker	267
Max. products per 10A B Breaker	133
Max. products per 13A B Breaker	173
Max. products per 16A B Breaker	213
Max. products per 20A B Breaker	267

## Durée de vie

Lifespan L70 B50	60000
Lifespan L90 B10	23000

# Sylflat 105 IP44 600lm 840 DIM

Code article 0053989

**SYLVANIA**

## Données physiques

Housing colour	RAL 9003 - Signal white
IP rating	IP44/20
IK rating	IK06
Diffuser finish	Opal
Diffuser material	PS Polystyrene
Nominal Product Height (mm)	21
Nominal Product Diameter (mm)	120
Poids (kg)	0.237

## Emballage

Product EAN number	5410288539898
Longueur simple de l'emballage (cm)	19.5
Largeur simple de l'emballage (cm)	12.5
Packaging single depth (cm)	4.2
DUN14 (inner)	15410288539895
Units per outer package	15
Packaging outer length / height (cm)	39.0
Packaging outer width (cm)	23.0
Packaging outer depth (cm)	21.0

## Sécurité

Glow Wire Test (°C)	650
Condition de fonctionnement optimal (° C)	-20-40