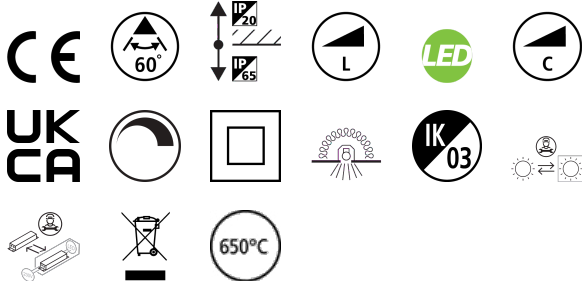


START Spot Fire 540lm 3CCT IP65 WH

Code article 0059830

SYLVANIA

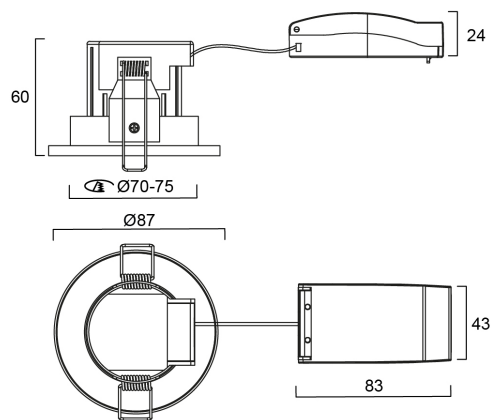
STARTTM



Integrated LED fire rated recessed spotlight, white bezel colour, three temperature light colours selectable: 3000K, 4000K, 6500K. Lumen output 540lm (4000K), 5.5W, dimmable trailing/leading edge, 60° degree beam angle, polycarbonate and steel body with aluminium bezel, low profile 60mm recessed depth, IP65 frontal degree, IK03, loop-in/loop-out terminals for fast wiring, 87mm bezel diameter, 70-75mm cutout, clear lens. Fire rated 30,60,90 minutes.

Atouts techniques

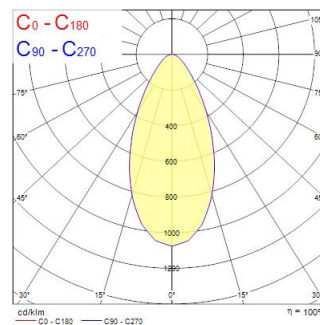
Dimensions (mm)



Photométrie

Distance [m]	Cone diameter [m]	Beam diameter [m]	Illuminance [lx]
0.5	0.47	0.47	2265
1.0	0.93	0.93	566
1.5	1.40	1.40	253
2.0	1.87	1.87	158
2.5	2.33	2.33	102
3.0	2.80	2.80	68

Distance [m] Cone diameter [m] Illuminance [lx]
 C0 - C180 (Half beam angle: 50.0°)



START Spot Fire 540lm 3CCT IP65 WH

Code article 0059830

SYLVANIA

Données générales

Nom du produit	START Spot Fire 540lm 3CCT IP65 WH
Technologie	LED
Cap/Base	N/A
Housing	Metal/plastic
Montage	Ceiling recessed mounting
Built in presence detector	NONE
General application	Hospitality, Residential & Consumer, Retail
Operating temperature range (°C)	-10°C...+40°C
Performance ambient temperature Tq (°C)	25
Virtual assistant compatibility	N/A
ETIM Class	EC001744
Warranty	3 ans

Données optiques

Fixture luminous flux (lm)	540
Luminaire efficacy (lm/W)	98
Colour Code	840
Couleur de lumière	Neutral White
IRC (Ra)	80
Colour Variation Initial (SDCM)	SDCM6
Beam Angle (°)	60
Distribution type	Symmetric
Photobiological Risk Group	RG0

Caractéristiques électriques

Consommation électrique totale (W)	5.5
Primary Supply/Product voltage - min (V)	220
Primary Supply/Product voltage - max (V)	240
Lamp power factor	0.9
THD (at 230 V, 50 Hz, full load, at 100% dimming level) \leq xx.x %	25
Electrical protection	Class II
Type d'appareillage	LED driver constant current
Dimmable	Yes
Dimming method	Mains: leading / trailing edge
Minimum dimming level (%)	10
Min. drive current (mA)	14
Max. drive current (mA)	135
Drive current - Range (mA)	14mA / 135mA
Courant d'appel (A)	10
Inrush Duration (μ s)	150
Energy Efficiency Class (A->G) of contained light source	E
Nominal Frequency (Hz)	50/60Hz
LED Flickering Rate	Medium (21% - 40%)
Max. products per 10A C Breaker	50
Max. products per 13A C Breaker	65
Max. products per 16A C Breaker	80
Max. products per 20A C Breaker	100
Max. products per 10A B Breaker	35
Max. products per 13A B Breaker	45
Max. products per 16A B Breaker	56
Max. products per 20A B Breaker	70
Connectable conductor cross section - Min (mm ²)	0.75
Connectable conductor cross section - Max (mm ²)	1.5

START Spot Fire 540lm 3CCT IP65 WH

Code article 0059830

SYLVANIA

Durée de vie

Lifespan L70 B50	124000
Lifespan L80 B20	59000
Lifespan L90 B10	27000

Données physiques

Housing colour	RAL 9003 - Signal white
IP rating	IP65/20
IK rating	IK03
Diffuser finish	Other
Diffuser material	None
Finition réflecteur	Not Applicable
Nominal Product Height (mm)	60
Nominal Product Diameter (mm)	87
Poids (kg)	0.27
Recessed Depth (mm)	55

Emballage

Product EAN number	5410288598307
Longueur simple de l'emballage (cm)	10.5
Largeur simple de l'emballage (cm)	7.0
Packaging single depth (cm)	10.5
DUN14 (inner)	15410288598304
Units per outer package	50
Packaging outer length / height (cm)	54.5
Packaging outer width (cm)	23.0
Packaging outer depth (cm)	37.0

Sécurité

Glow Wire Test (°C)	650
Condition de fonctionnement optimal (° C)	-10-40