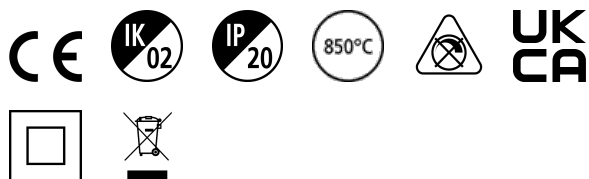


EXPOSPOT 90 ADJUSTABLE HO RA90 4000K MB WHITE

Code article 0060295

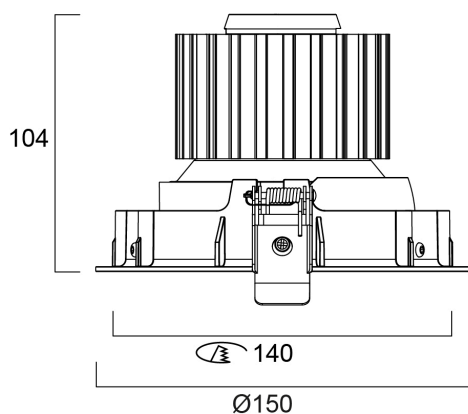
SYLVANIA



Integrated LED adjustable accent downlight, single head, ideal for retail and display applications, die-cast aluminium body, passive cooling, beam angle: 43°, optics: aluminium reflector and lens combination, colour temperature: 4000K neutral white, total system power: 35W, total fixture output: 3458lm, 99lm/W, LOR: 100%, colour rendering: Ra 90 typical, LED Chromacity: 3 step MacAdam ellipse, lifetime: 60,000 hours at 70% of the original output (L70B50), energy class: A++, A+, A, IR/UV free light source without heat radiation, operating voltage: 220-240V / 50-60Hz, electronic driver, non-dimmable, electrical protection: CLASS II, ingress protection rating: IP20, suitable for internal environment only, ceiling cut-out: 140mm, dimensions: 150x104mm, weight: 0.77kg.

Atouts techniques

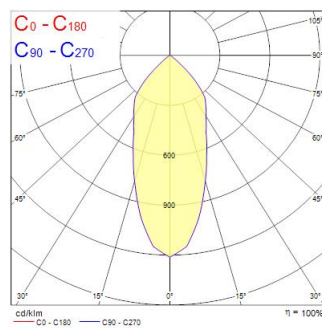
Dimensions (mm)



Photométrie

Distance [m]	Cone diameter [m]	Beam diameter [m]	Illuminance [lx]
0.5	0.38	0.38	1877
1.0	0.76	0.76	469
1.5	1.14	1.14	211
2.0	1.52	1.52	115
2.5	1.90	1.90	75
3.0	2.28	2.28	50

Distance [m] Cone diameter [m] Illuminance [lx]
C0 - C180 (Half beam angle: 42.8°)



EXPOSPOT 90 ADJUSTABLE HO RA90 4000K MB WHITE

Code article 0060295

SYLVANIA

Données générales

Nom du produit	EXPOSPOT 90 ADJUSTABLE HO RA90 4000K MB WHITE
Technologie	LED
Housing	Aluminium
Montage	Ceiling recessed mounting
Fixture rating	Enclosed
Environment	Indoor
General application	Retail
Performance ambient temperature Tq (°C)	25
ETIM Class	EC001744
Numéro virtuel FI	4274792
Warranty	5 ans

Données optiques

Fixture luminous flux (lm)	3458
Luminaire efficacy (lm/W)	99
LOR (%)	100
Température de couleur (K)	4000
Couleur de lumière	Neutral White
IRC (Ra)	90
Colour Variation Initial (SDCM)	SDCM3
Beam Angle (°)	43
Photobiological Risk Group	RG1

Caractéristiques électriques

Consommation électrique totale (W)	35
Lamp power factor	0.95
Electrical protection	Class II
Control gear required	No
Type d'appareillage	Electronic ballast
Montage de l'appareillage	Remote
Dimmable	No
Dimming method	N/A
Drive current (mA)	900
Courant d'appel (A)	21
Inrush Duration (µs)	250
Nominal Frequency (Hz)	50/60Hz
Max. products per 10A C Breaker	31
Max. products per 13A C Breaker	41
Max. products per 16A C Breaker	51
Max. products per 20A C Breaker	65
Max. products per 10A B Breaker	19
Max. products per 13A B Breaker	25
Max. products per 16A B Breaker	31
Max. products per 20A B Breaker	39

Durée de vie

Lifespan L70 B50	60000
Lifespan L70 B20	60000
Lifespan L70 B10	60000
Lifespan L80 B50	60000
Lifespan L80 B20	60000
Lifespan L80 B10	60000
Lifespan L90 B50	60000
Lifespan L90 B20	60000
Lifespan L90 B10	55000

EXPOSPOT 90 ADJUSTABLE HO RA90 4000K MB WHITE

Code article 0060295

SYLVANIA

Données physiques

Housing colour	White
IP rating	IP20
IK rating	IK02
Largeur (mm)	150
Nominal Product Height (mm)	104
Poids (kg)	0.77
Recessed Depth (mm)	104

Emballage

Product EAN number	5410288602950
Longueur simple de l'emballage (cm)	18.0
Largeur simple de l'emballage (cm)	18.0
Packaging single depth (cm)	16.0
DUN14 (inner)	05410288602950
Units per outer package	1
Packaging outer length / height (cm)	18.0
Packaging outer width (cm)	18.0
Packaging outer depth (cm)	16.0

Sécurité

Glow Wire Test (°C)	850
---------------------	-----