

# Loop-In Loop-Out Wiring Box 5-Way 5 Pole accessory

Code article 0079402

**SYLVANIA**

**PRO**<sup>TM</sup>

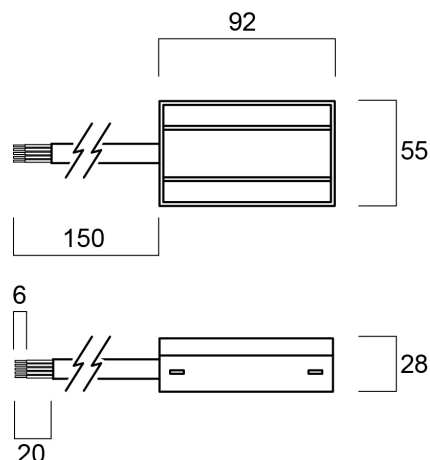
CE UK  
CA



Loop In - Loop Out 5-way wiring box

## Atouts techniques

### Dimensions (mm)



### Photométrie

### Données générales

Nom du produit	Loop-In Loop-Out Wiring Box 5-Way 5 Pole accessory
Technologie	Non - Electrical Device
Environment	Indoor
General application	Retail
ETIM Class	EC002556
Warranty	3 ans

### Données physiques

Housing colour	Black
Longueur (mm)	92
Largeur (mm)	55
Nominal Product Height (mm)	28
Poids (kg)	0.072

# Loop-In Loop-Out Wiring Box 5-Way 5 Pole accessory

Code article 0079402

**SYLVANIA**

## Emballage

Product EAN number	5410288794020
Longueur simple de l'emballage (cm)	7.2
Largeur simple de l'emballage (cm)	5.5
Packaging single depth (cm)	2.8
DUN14 (inner)	15410288794027
Units per outer package	120
Packaging outer length / height (cm)	67.0
Packaging outer width (cm)	58.0
Packaging outer depth (cm)	35.0