

OPTIX RECESSED 4 CELLS 3000K ALU

Code article 2021688

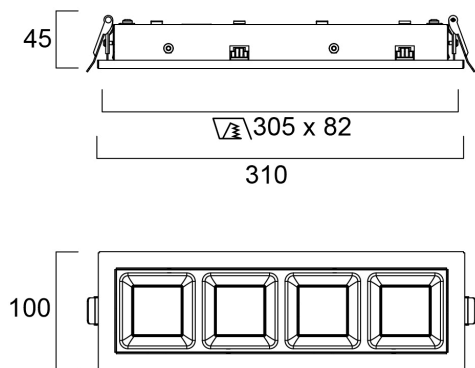
Concord



OPTIX RECESSED 4 CELLS 3000K ALU is a high efficacy low glare luminaire for office and education applications. Ceiling recessed 310x100 mm. Aluminised plastic extra low glare optics. White RAL9016 fixture body. Constant current driver. 3000K Warm White LED, CRI>80, chromaticity tolerance of 3-step MacAdam ellipse. Luminous flux 962lm. Power consumption 8.5W. Luminaire efficacy 113lm/W. 42,000hrs L90B10 lifespan. UGR<18, Luminance at 65°<3000 Cd/m², IK07, IP20. Photobiological safety risk group 1. Electrical protection Class I. Glow wire test 850°C.

Atouts techniques

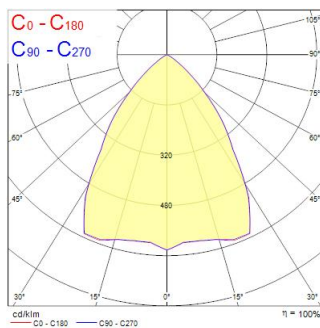
Dimensions (mm)



Photométrie

Distance [m]	Cone diameter [m]	Beam diameter [m]	Beam diameter [m]	Illuminance [lx]
0.5	0.78	0.78	0.78	234
1.0	1.56	1.56	1.56	59
1.5	2.34	2.34	2.34	39
2.0	3.11	3.11	3.11	29
2.5	3.89	3.89	3.89	25
3.0	4.67	4.67	4.67	21

Distance [m] Cone diameter [m] Illuminance [lx]
 — C0 - C180 (Half beam angle: 75.8°)



OPTIX RECESSED 4 CELLS 3000K ALU

Code article 2021688

Concord

Données générales

Nom du produit	OPTIX RECESSED 4 CELLS 3000K ALU
Technologie	LED
Cap/Base	N/A
Housing	Steel
Montage	Ceiling recessed mounting
Built in presence detector	NONE
Fixture rating	Enclosed
General application	Office, Education
Operating temperature range (°C)	10°C...+25°C
Performance ambient temperature Tq (°C)	25
Virtual assistant compatibility	N/A
ETIM Class	EC002892
Warranty	5 ans

Données optiques

Fixture luminous flux (lm)	962
Luminaire efficacy (lm/W)	113
Température de couleur (K)	3000
Couleur de lumière	Warm White
IRC (Ra)	80
Colour Variation Initial (SDCM)	SDCM3
Distribution type	Symmetric
Glare control	< 19
Photobiological Risk Group	RG1

Caractéristiques électriques

Emergency type	
Consommation électrique totale (W)	8.5
Primary Supply/Product voltage - min (V)	220
Primary Supply/Product voltage - max (V)	240
Lamp power factor	0.95
THD (at 230 V, 50 Hz, full load, at 100% dimming level) ≤ xx.x %	15
Electrical protection	Class I
Control gear required	No
Type d'appareillage	LED driver constant current
Dimmable	No
Dimming method	N/A
Drive current (mA)	150
Courant d'appel (A)	14
Inrush Duration (µs)	150
Energy Efficiency Class (A->G) of contained light source	D
Nominal Frequency (Hz)	50/60Hz
LED Flickering Rate	Ultra low (5% or less)
Max. products per 10A C Breaker	64
Max. products per 16A C Breaker	100
Max. products per 10A B Breaker	40
Max. products per 16A B Breaker	60
Connectable conductor cross section - Min (mm ²)	0.75
Connectable conductor cross section - Max (mm ²)	2.5

Durée de vie

Lifespan L70 B50	120000
Lifespan L80 B20	96500
Lifespan L90 B10	42000

OPTIX RECESSED 4 CELLS 3000K ALU

Code article 2021688

Concord

Données physiques

Housing colour	RAL 9016 - Traffic white / Bezel
IP rating	IP20
IK rating	IK07
Diffuser finish	Matt/satinized
Diffuser material	PC Polycarbonate
Finition réflecteur	High-gloss
Longueur (mm)	310
Largeur (mm)	100
Nominal Product Height (mm)	45
Poids (kg)	0.69

Emballage

Product EAN number	5025768216888
Longueur simple de l'emballage (cm)	36.5
Largeur simple de l'emballage (cm)	18.2
Packaging single depth (cm)	6.0
DUN14 (inner)	05025768216888
Units per outer package	1
Packaging outer length / height (cm)	36.5
Packaging outer width (cm)	18.2
Packaging outer depth (cm)	6.0

Sécurité

Glow Wire Test (°C)	850
Condition de fonctionnement optimal (° C)	10-25