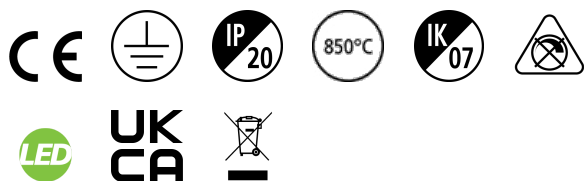


# OPTIX RECESSED 4 CELLS 3000K WHT

Code article 2021690

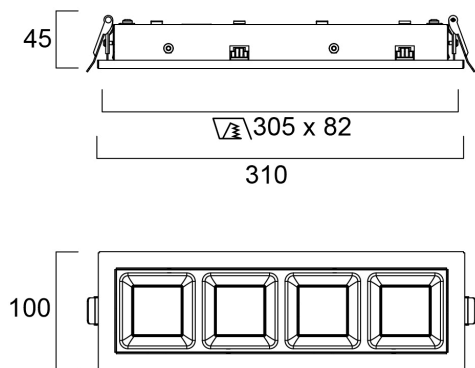
# Concord



OPTIX RECESSED 4 CELLS 3000K WHT is a high efficacy low glare luminaire for office and education applications. Ceiling recessed 310x100 mm. White plastic low glare optics. White RAL9016 fixture body. Constant current driver. 3000K Warm White LED, CRI>80, chromaticity tolerance of 3-step MacAdam ellipse. Luminous flux 1059lm. Power consumption 9W. Luminaire efficacy 118lm/W. 42,000hrs L90B10 lifespan. UGR<22, Luminance at 65°<3000 Cd/m<sup>2</sup>, IK07, IP20. Photobiological safety risk group 1. Electrical protection Class I. Glow wire test 850°C.

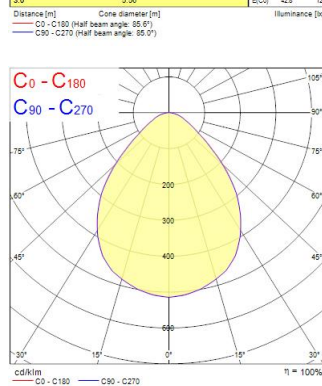
## Atouts techniques

### Dimensions (mm)



### Photométrie

Distance [m]	Cone diameter [m]	Beam diameter [m]	Illuminance [lx]
0.5	0.52	0.53	2179
			2100
			2021
1.0	1.03	1.06	545
			510
			479
1.5	1.55	1.59	242
			222
			204
2.0	2.07	2.13	136
			126
			117
2.5	2.60	2.67	87
			80
			74
3.0	3.13	3.21	61
			56
			52



# OPTIX RECESSED 4 CELLS 3000K WHT

Code article 2021690

Concord

## Données générales

Nom du produit	OPTIX RECESSED 4 CELLS 3000K WHT
Technologie	LED
Cap/Base	N/A
Housing	Steel
Montage	Ceiling recessed mounting
Fixture rating	Enclosed
General application	Education, Office
Performance ambient temperature Tq (°C)	25
ETIM Class	EC002892
Warranty	5 ans

## Données optiques

Fixture luminous flux (lm)	1059
Luminaire efficacy (lm/W)	118
Température de couleur (K)	3000
Couleur de lumière	Warm White
IRC (Ra)	80
Colour Variation Initial (SDCM)	SDCM3
Glare control	< 22
Photobiological Risk Group	RG1

## Caractéristiques électriques

Consommation électrique totale (W)	10
Primary Supply/Product voltage - min (V)	220
Primary Supply/Product voltage - max (V)	240
Lamp power factor	0.95
THD (at 230 V, 50 Hz, full load, at 100% dimming level) ≤ xx.x %	15
Electrical protection	Class I
Control gear required	No
Type d'appareillage	LED driver constant current
Dimmable	No
Dimming method	N/A
Drive current (mA)	150
Courant d'appel (A)	14
Inrush Duration (µs)	150
Energy Efficiency Class (A->G) of contained light source	C
Nominal Frequency (Hz)	50/60Hz
LED Flickering Rate	Ultra low (5% or less)
Max. products per 10A C Breaker	64
Max. products per 16A C Breaker	100
Max. products per 10A B Breaker	40
Max. products per 16A B Breaker	60
Connectable conductor cross section - Min (mm <sup>2</sup> )	0.5
Connectable conductor cross section - Max (mm <sup>2</sup> )	1.5

## Durée de vie

Lifespan L70 B50	120000
Lifespan L80 B20	96500
Lifespan L90 B10	42000

# OPTIX RECESSED 4 CELLS 3000K WHT

Code article 2021690

Concord

## Données physiques

Housing colour	RAL 9016 - Traffic white / Bezel
IP rating	IP20
IK rating	IK07
Diffuser finish	Matt/satinized
Diffuser material	PC Polycarbonate
Longueur (mm)	310
Largeur (mm)	100
Nominal Product Height (mm)	45
Poids (kg)	0.69

## Emballage

Product EAN number	5025768216901
Longueur simple de l'emballage (cm)	36.5
Largeur simple de l'emballage (cm)	18.2
Packaging single depth (cm)	6.0
DUN14 (inner)	05025768216901
Units per outer package	1
Packaging outer length / height (cm)	36.5
Packaging outer width (cm)	18.2
Packaging outer depth (cm)	6.0

## Sécurité

Glow Wire Test (°C)	850
---------------------	-----