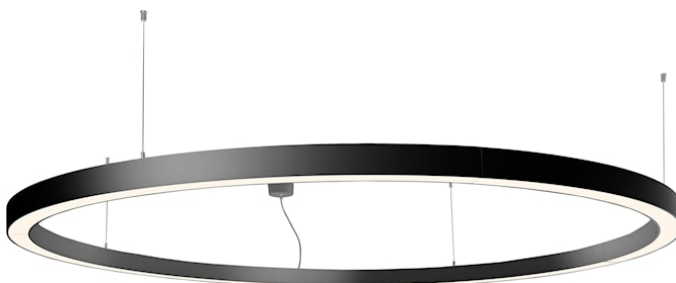
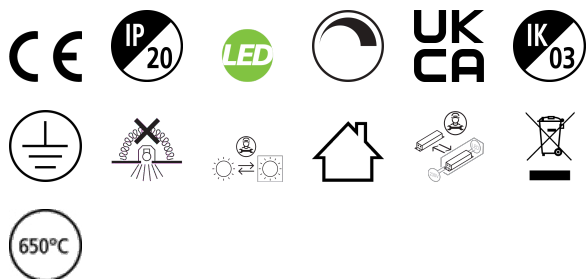


Nilo 1200 Direct/Indirect 4000K DALI Black

Code article 2050611

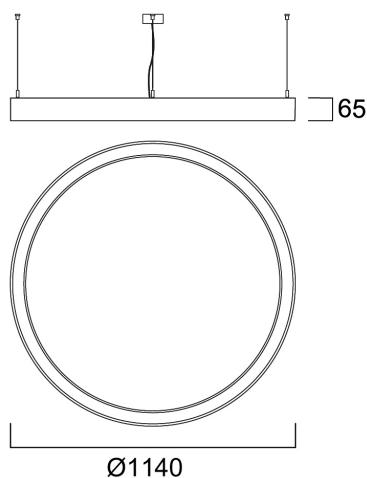
Concord



Nilo is a 360° curve-shaped luminaire with a striking, minimalistic design, perfect for retail, hospitality, and office environments. The product can be suspended at different heights to create appealing lighting effects. Stand-alone and self-contained lighting fixture. Aluminium body, opal diffuser, emits direct and indirect lighting. Textured black finishing colour. Light color temperature: 4000K, neutral white. System power: 85W Ra80 typical, LED chromacity: 3 step MacAdam ellipse (SDCM3), IR/UV free light source without heat radiation. DALI dimmable, 220-240V / 50-60Hz. 75% direct, and 25% indirect lighting. Electrical protection: Class I. Degree of protection: IP20, suitable for indoor environment only. Nominal product dimensions: diameter 1140mmx65mm.

Atouts techniques

Dimensions (mm)

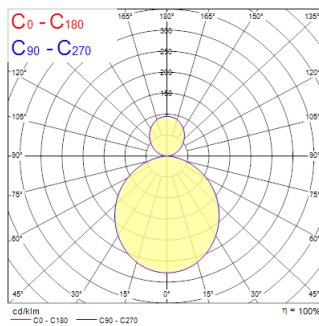


Photométrie

Distance [m]	Cone diameter [m]	E175 [lx]	E100 [lx]	E50 [lx]
0.5	1.36 1.36	1061	1107	1153
1.0	2.72 2.65	260	271	282
1.5	4.08 4.04	112	117	122
2.0	5.45 5.39	65	68	71
2.5	6.81 6.73	43	44	46
3.0	8.17 8.08	29	31	31

Distance [m] Cone diameter [m] Illuminance [lx]

— C0 - C180 (Half beam angle: 106.8°)
— C90 - C270 (Half beam angle: 107.4°)



Nilo 1200 Direct/Indirect 4000K DALI Black

Code article 2050611

Concord

Données générales

Nom du produit	Nilo 1200 Direct/Indirect 4000K DALI Black
Technologie	LED
Cap/Base	N/A
Housing	Aluminium
Montage	Suspended
Built in presence detector	NONE
General application	Hospitality, Retail, Museums & Galleries
Operating temperature range (°C)	1°C...+25°C
Virtual assistant compatibility	N/A
ETIM Class	EC002892
Warranty	5 ans

Données optiques

Fixture luminous flux (lm)	9570
Luminaire efficacy (lm/W)	113
Température de couleur (K)	4000
Couleur de lumière	Neutral White
IRC (Ra)	80
Colour Variation Initial (SDCM)	SDCM3
Distribution type	Symmetric
Glare control	< 23
Photobiological Risk Group	RG0

Caractéristiques électriques

Emergency type	
Consommation électrique totale (W)	85
Primary Supply/Product voltage - min (V)	220.0
Primary Supply/Product voltage - max (V)	240.0
Lamp power factor	0.97
THD (at 230 V, 50 Hz, full load, at 100% dimming level) ≤ xx.x %	7.0
Electrical protection	Class I
Type d'appareillage	LED driver constant current
Dimmable	Yes
Dimming method	DALI
Drive current (mA)	1024
Courant d'appel (A)	31.2
Inrush Duration (µs)	182
Energy Efficiency Class (A->G) of contained light source	C
Nominal Frequency (Hz)	50/60Hz
Max. products per 10A C Breaker	14
Max. products per 13A C Breaker	18
Max. products per 16A C Breaker	45
Max. products per 16A B Breaker	27
Connectable conductor cross section - Max (mm ²)	2.5

Durée de vie

Lifespan L80 B20

50000

Nilo 1200 Direct/Indirect 4000K DALI Black

Code article 2050611

Concord

Données physiques

Housing colour	Black
IP rating	IP20
IK rating	IK03
Diffuser finish	Opal
Diffuser material	PMMA Acrylic
Nominal Product Height (mm)	65
Nominal Product Diameter (mm)	1140
Poids (kg)	8.2

Emballage

Product EAN number	5025768506118
Longueur simple de l'emballage (cm)	126.0
Largeur simple de l'emballage (cm)	126.0
Packaging single depth (cm)	14.9
DUN14 (inner)	05025768506118
Units per outer package	1
Packaging outer length / height (cm)	126.0
Packaging outer width (cm)	126.0
Packaging outer depth (cm)	14.9

Sécurité

Glow Wire Test (°C)	650
Condition de fonctionnement optimal (° C)	1-25