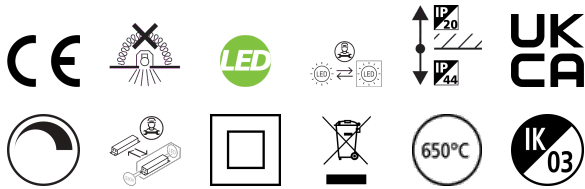


# ASCENT 150 II 1900 4K DALI

Code article 2059353

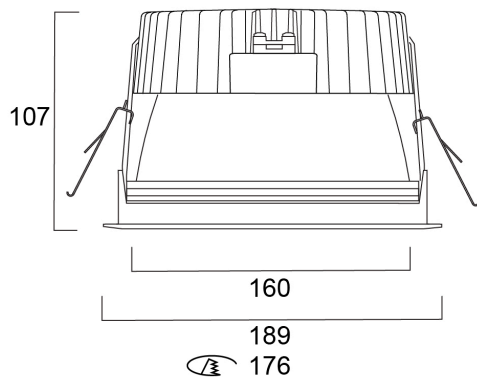
Concord



The ASCENT 150 II 1900 4K DALI is a high efficient downlight luminaire , Colour rendering index Ra >80, Colour temperature: 4000K Neutral White, Class II, Protection rating IP44/IK03

## Atouts techniques

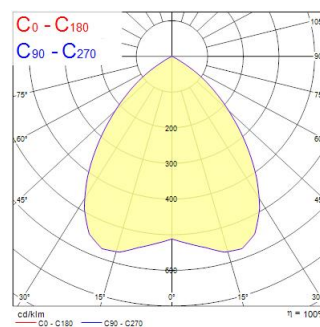
### Dimensions (mm)



### Photométrie

Distance [m]	Cone diameter [m]	Beam angle [°]	Illuminance [lx]
0.5	0.91	42°	339
1.0	1.81	42°	87
1.5	2.72	42°	38
2.0	3.63	42°	23
2.5	4.53	42°	16
3.0	5.44	42°	12

Distance [m] Cone diameter [m] Illuminance [lx]  
C0 - C180 (Half beam angle: 84.4°)



# ASCENT 150 II 1900 4K DALI

Code article 2059353

Concord

## Données générales

Nom du produit	ASCENT 150 II 1900 4K DALI
Technologie	LED
Cap/Base	N/A
Housing	Aluminium
Montage	Ceiling recessed mounting
Built in presence detector	NONE
Environment	Internal
General application	Hospitality, Office, Retail
Operating temperature range (°C)	25°C...+25°C
Performance ambient temperature Tq (°C)	25
Virtual assistant compatibility	N/A
ETIM Class	EC001744
Warranty	5 ans

## Données optiques

Fixture luminous flux (lm)	1900
Luminaire efficacy (lm/W)	146
LOR (%)	100
Température de couleur (K)	4000
IRC (Ra)	80
Colour Variation Initial (SDCM)	SDCM3
Colour Consistency (SDCM)	3
Chromaticité réglable	N
Beam Angle (°)	80
Distribution type	Diffuse
Glare control	< 21
Photobiological Risk Group	RG0

## Caractéristiques électriques

Consommation électrique totale (W)	13
Primary Supply/Product voltage - min (V)	220
Primary Supply/Product voltage - max (V)	240
Lamp power factor	1
THD (at 230 V, 50 Hz, full load, at 100% dimming level) $\leq$ xx.x %	7
Electrical protection	Class II
Type d'appareillage	Electronic ballast
Dimmable	Yes
Dimming method	DALI-2, Switch-dim (mains-rated)
Minimum dimming level (%)	1
Drive current (mA)	500
Courant d'appel (A)	25
Inrush Duration ( $\mu$ s)	141
Energy Efficiency Class (A->G) of contained light source	B
Nominal Frequency (Hz)	50/60/HF
Max. products per 10A C Breaker	31
Max. products per 13A C Breaker	40
Max. products per 16A C Breaker	51
Max. products per 20A C Breaker	66
Max. products per 10A B Breaker	19
Max. products per 13A B Breaker	24
Max. products per 16A B Breaker	31
Max. products per 20A B Breaker	40
Connectable conductor cross section - Min (mm <sup>2</sup> )	1
Connectable conductor cross section - Max (mm <sup>2</sup> )	1

## Durée de vie

Lifespan L70 B50	100000
Lifespan L80 B20	100000
Lifespan L90 B10	60000

# ASCENT 150 II 1900 4K DALI

Code article 2059353

Concord

## Données physiques

Housing colour	RAL 9016 - Traffic white / Bezel
IP rating	IP44/20
IK rating	IK03
Diffuser finish	Transparent
Diffuser material	PC Polycarbonate
Finition réflecteur	Other
Largeur (mm)	189
Nominal Product Height (mm)	107
Nominal Product Diameter (mm)	189
Poids (kg)	1.03
Recessed Depth (mm)	120

## Emballage

Product EAN number	5025768593538
Longueur simple de l'emballage (cm)	25.0
Largeur simple de l'emballage (cm)	20.0
Packaging single depth (cm)	25.0
DUN14 (inner)	05025768593538
Units per outer package	1
Packaging outer length / height (cm)	25.0
Packaging outer width (cm)	20.0
Packaging outer depth (cm)	25.0

## Sécurité

Glow Wire Test (°C)	650
Condition de fonctionnement optimal (° C)	25-25