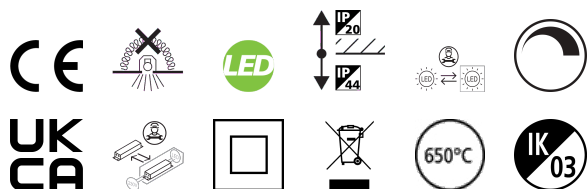


ASCENT 150 II 3400 4K DALI WHT

Code article 2059449

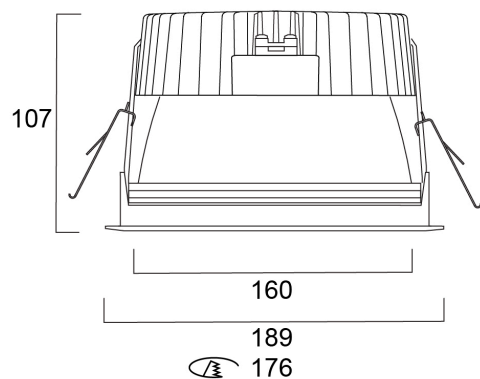
Concord



The ASCENT 150 II 3400 4K DALI WHT is a high efficient downlight luminaire , Colour rendering index Ra >80, Colour temperature: 4000K Neutral White, Class II, Protection rating IP44/IK03

Atouts techniques

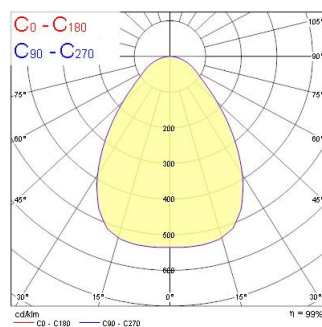
Dimensions (mm)



Photométrie

Distance [m]	Cone diameter [m]	Beam diameter [m]	Illuminance [lx]
0.5	0.92	EPD ECD 30.5°	1202 988
1.0	1.85	EPD ECD 30.5°	300 247
1.5	2.47	EPD ECD 30.5°	133 107
2.0	3.30	EPD ECD 30.5°	65 52
2.5	4.12	EPD ECD 30.5°	33 27
3.0	4.95	EPD ECD 30.5°	22 18

Distance [m] Cone diameter [m] Illuminance [lx]
CD - C180 (Half beam angle: 70.0°)



ASCENT 150 II 3400 4K DALI WHT

Code article 2059449

Concord

Données générales

Nom du produit	ASCENT 150 II 3400 4K DALI WHT
Technologie	LED
Cap/Base	Q10S
Housing	Aluminium
Montage	Ceiling recessed mounting
Built in presence detector	NONE
Environment	Internal
General application	Hospitality, Office, Retail
Operating temperature range (°C)	25°C...+25°C
Performance ambient temperature Tq (°C)	25
Virtual assistant compatibility	N/A
ETIM Class	EC001744
Warranty	5 ans

Données optiques

Fixture luminous flux (lm)	3400
Luminaire efficacy (lm/W)	126
LOR (%)	100
Température de couleur (K)	4000
IRC (Ra)	80
Colour Variation Initial (SDCM)	SDCM3
Colour Consistency (SDCM)	3
Chromaticité réglable	N
Beam Angle (°)	80
Distribution type	Diffuse
Glare control	< 27
Photobiological Risk Group	RG0

Caractéristiques électriques

Consommation électrique totale (W)	27
Primary Supply/Product voltage - min (V)	220
Primary Supply/Product voltage - max (V)	240
Lamp power factor	1
THD (at 230 V, 50 Hz, full load, at 100% dimming level) ≤ xx.x %	7
Electrical protection	Class II
Type d'appareillage	Electronic ballast
Dimmable	Yes
Dimming method	DALI-2, Switch-dim (mains-rated)
Minimum dimming level (%)	1
Drive current (mA)	1000
Courant d'appel (A)	25
Inrush Duration (µs)	141
Energy Efficiency Class (A->G) of contained light source	B
Nominal Frequency (Hz)	50/60/HF
Max. products per 10A C Breaker	31
Max. products per 13A C Breaker	40
Max. products per 16A C Breaker	51
Max. products per 20A C Breaker	66
Max. products per 10A B Breaker	19
Max. products per 13A B Breaker	24
Max. products per 16A B Breaker	31
Max. products per 20A B Breaker	40
Connectable conductor cross section - Min (mm ²)	1
Connectable conductor cross section - Max (mm ²)	1

Durée de vie

Lifespan L70 B50	100000
Lifespan L80 B20	100000
Lifespan L90 B10	55000

ASCENT 150 II 3400 4K DALI WHT

Code article 2059449

Concord

Données physiques

Housing colour	RAL 9016 - Traffic white / Bezel
IP rating	IP44/20
IK rating	IK03
Diffuser finish	Transparent
Diffuser material	PC Polycarbonate
Finition réflecteur	Other
Longueur (mm)	188
Largeur (mm)	188
Nominal Product Height (mm)	107
Poids (kg)	1.03
Recessed Depth (mm)	120

Emballage

Product EAN number	5025768594498
Longueur simple de l'emballage (cm)	25.0
Largeur simple de l'emballage (cm)	20.0
Packaging single depth (cm)	25.0
DUN14 (inner)	05025768594498
Units per outer package	1
Packaging outer length / height (cm)	25.0
Packaging outer width (cm)	20.0
Packaging outer depth (cm)	25.0

Sécurité

Glow Wire Test (°C)	650
Condition de fonctionnement optimal (° C)	25-25