

ASCENT 100 II ARCH 1900 4K STD 160

Code article 2060555

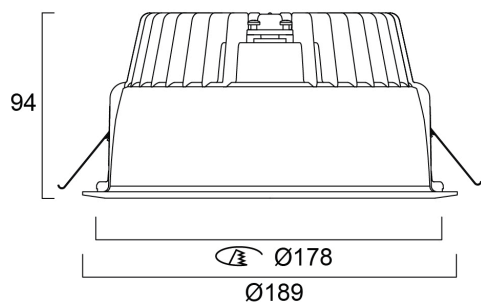
Concord



The ASCENT 100 II ARCH 1900 4K STD 160 is a high efficient non dimmable downlight luminaire, Colour rendering index Ra >80, Colour temperature: 4000K Neutral White, Class II, Protection rating IP40/IP20, Cut out dimensions: 178mm. Additional accessories of diffusers and plaster in available.

Atouts techniques

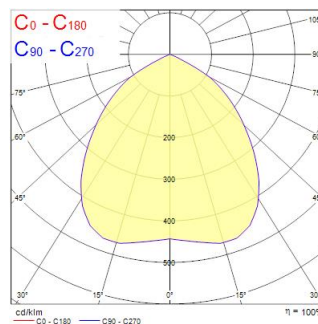
Dimensions (mm)



Photométrie

Distance [m]	Cone diameter [m]	Beam angle [°]	Illuminance [lx]
0.5	1.08	81°	325
1.0	2.17	81°	81
1.5	3.25	81°	37
2.0	4.33	81°	21
2.5	5.42	81°	13
3.0	6.50	81°	8

Distance [m] Cone diameter [m] Illuminance [lx]
C0 - C180 (Half beam angle: 84.6°)



ASCENT 100 II ARCH 1900 4K STD 160

Code article 2060555

Concord

Données générales

Nom du produit	ASCENT 100 II ARCH 1900 4K STD 160
Technologie	LED
Cap/Base	N/A
Housing	Aluminium
Montage	Ceiling recessed mounting
Built in presence detector	NONE
General application	Hospitality, Office, Retail
Operating temperature range (°C)	25°C...+25°C
Performance ambient temperature Tq (°C)	25
Virtual assistant compatibility	N/A
ETIM Class	EC001744
Warranty	5 ans

Données optiques

Fixture luminous flux (lm)	1921
Luminaire efficacy (lm/W)	113
LOR (%)	100
Température de couleur (K)	4000
IRC (Ra)	80
Colour Variation Initial (SDCM)	SDCM3
Colour Consistency (SDCM)	3
Beam Angle (°)	85
Distribution type	Diffuse
Glare control	< 24
Photobiological Risk Group	RG0

Caractéristiques électriques

Consommation électrique totale (W)	17
Primary Supply/Product voltage - min (V)	220
Primary Supply/Product voltage - max (V)	240
Lamp power factor	0.95
THD (at 230 V, 50 Hz, full load, at 100% dimming level) ≤ xx.x %	150
Electrical protection	Class II
Control gear required	Yes
Type d'appareillage	Electronic ballast
Montage de l'appareillage	Remote
Dimmable	No
Dimming method	N/A
Drive current (mA)	300
Courant d'appel (A)	14.5
Inrush Duration (µs)	114
Energy Efficiency Class (A->G) of contained light source	C
Nominal Frequency (Hz)	50/60Hz
Max. products per 10A C Breaker	52
Max. products per 13A C Breaker	67
Max. products per 16A C Breaker	85
Max. products per 20A C Breaker	104
Max. products per 10A B Breaker	32
Max. products per 13A B Breaker	41
Max. products per 16A B Breaker	50
Max. products per 20A B Breaker	62
Connectable conductor cross section - Min (mm ²)	0.5
Connectable conductor cross section - Max (mm ²)	1.5

Durée de vie

Lifespan L70 B50	100000
Lifespan L80 B20	100000
Lifespan L90 B10	58000

ASCENT 100 II ARCH 1900 4K STD 160

Code article 2060555

Concord

Données physiques

Housing colour	RAL 9016 - Traffic white / Bezel
IP rating	IP40/20
IK rating	IK02
Diffuser finish	Opal
Diffuser material	PMMA Acrylic
Finition réflecteur	High-gloss
Nominal Product Height (mm)	94
Nominal Product Diameter (mm)	189
Poids (kg)	1.2

Emballage

Product EAN number	5025768605552
Longueur simple de l'emballage (cm)	25.0
Largeur simple de l'emballage (cm)	20.0
Packaging single depth (cm)	25.0
DUN14 (inner)	05025768605552
Units per outer package	1
Packaging outer length / height (cm)	25.0
Packaging outer width (cm)	20.0
Packaging outer depth (cm)	25.0

Sécurité

Glow Wire Test (°C)	650
Condition de fonctionnement optimal (° C)	25-25