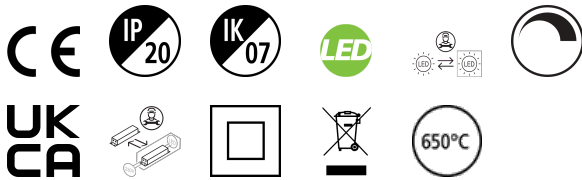


# PIXER RECESSED 325X325 HO 1P 4000K DALI

Code article 2069342

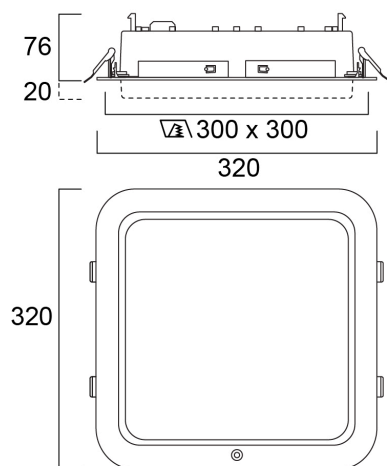
Concord



PIXER RECESSED 325X325 HO 1P 4000K DALI is a high performance low glare office luminaire with an adjustable light pod to enhance architectural design. Diffuser is made of optical grade polycarbonate with an optical film for high efficacy and excellent glare control. Suitable for offices where aesthetics is important. Ceiling recessed 300x300mm, White colour - RAL9010. DALI dimmable, 4000K Warm White LED, CRI>80, chromaticity tolerance of 3-step MacAdam ellipse. Lumen package of 1350 lm, total power consumption 12W, efficacy 113lm/W. Lifespan 67,000 hours L90B10. UGR<19. IK07, IP20. Electrical protection: Class II. Glow wire test 850°C.

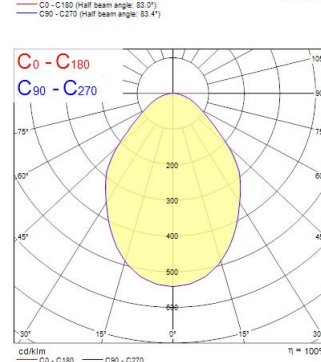
## Atouts techniques

### Dimensions (mm)



### Photométrie

Distance [m]	Cone diameter [m]	Beam diameter [m]	Illuminance [lx]
0.5	0.89 0.86	0.71 0.68	2971 3020
1.0	1.78 1.77	1.42 1.36	743 756
1.5	2.67 2.65	2.13 2.04	330 339
2.0	3.56 3.54	2.84 2.74	196 201
2.5	4.45 4.42	3.55 3.44	119 123
3.0	5.35 5.31	4.26 4.14	83 86



# PIXER RECESSED 325X325 HO 1P 4000K DALI

Code article 2069342

Concord

## Données générales

Nom du produit	PIXER RECESSED 325X325 HO 1P 4000K DALI
Technologie	LED
Housing	Steel
Montage	Ceiling recessed mounting
Fixture rating	Enclosed
General application	Education, Hospitality, Office
Performance ambient temperature Tq (°C)	25
ETIM Class	EC002892
Warranty	5 ans

## Données optiques

Fixture luminous flux (lm)	1350
Luminaire efficacy (lm/W)	113
LOR (%)	100
Température de couleur (K)	4000
Couleur de lumière	Neutral White
IRC (Ra)	80
Colour Variation Initial (SDCM)	SDCM3
Glare control	< 19
Photobiological Risk Group	RG0

## Caractéristiques électriques

Consommation électrique totale (W)	12
Primary Supply/Product voltage - min (V)	220
Primary Supply/Product voltage - max (V)	240
Lamp power factor	0.98
Electrical protection	Class II
Type d'appareillage	Electronic ballast
Montage de l'appareillage	Remote
Dimmable	Yes
Dimming method	DALI
Drive current (mA)	350
Courant d'appel (A)	18
Inrush Duration (µs)	140
Nominal Frequency (Hz)	50/60Hz
Max. products per 10A C Breaker	36
Max. products per 13A C Breaker	50
Max. products per 16A C Breaker	60
Max. products per 20A C Breaker	76
Max. products per 10A B Breaker	22
Max. products per 13A B Breaker	30
Max. products per 16A B Breaker	36
Max. products per 20A B Breaker	46

## Durée de vie

Lifespan L70 B50	120000
Lifespan L80 B20	120000
Lifespan L90 B10	67000

# PIXER RECESSED 325X325 HO 1P 4000K DALI

Code article 2069342

Concord

## Données physiques

Housing colour	RAL 9016 - Traffic white / Bezel
IP rating	IP20
IK rating	IK07
Diffuser finish	Transparent
Diffuser material	PMMA Acrylic
Longueur (mm)	320
Largeur (mm)	320
Nominal Product Height (mm)	76
Poids (kg)	2.5
Recessed Depth (mm)	150

## Emballage

Product EAN number	5025768693429
Longueur simple de l'emballage (cm)	44.0
Largeur simple de l'emballage (cm)	42.0
Packaging single depth (cm)	9.5
DUN14 (inner)	05025768693429
Units per outer package	1
Packaging outer length / height (cm)	44.0
Packaging outer width (cm)	42.0
Packaging outer depth (cm)	9.5

## Sécurité

Glow Wire Test (°C)	650
Utilisation pour applications sèches uniquement	Yes