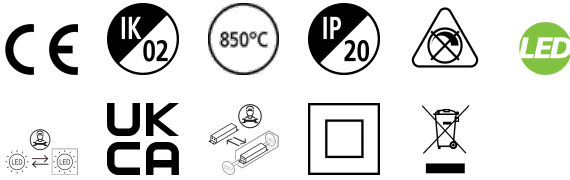


EXPOSPOT 90 CARDAN HE RA90 4000K WB WHITE

Code article 2070046

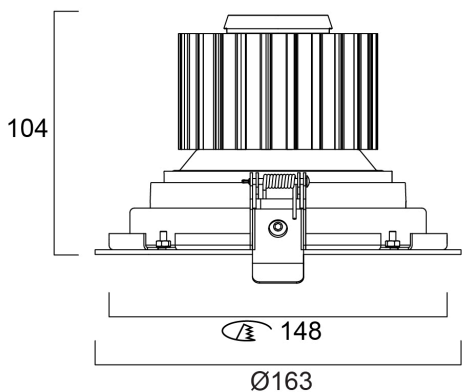
Concord



Integrated LED gimbal accent downlight, single head, ideal for retail and display applications, die-cast aluminium body, passive cooling, beam angle: 57°, optics: aluminium reflector and lens combination, colour temperature: 4000K neutral white, total system power: 28W, total fixture output: 2855lm, 102lm/W, LOR: 100%, colour rendering: Ra 90 typical, LED Chromacity: 3 step MacAdam ellipse, IR/UV free light source without heat radiation, operating voltage: 220-240V / 50-60Hz, electronic driver, non-dimmable, electrical protection: CLASS II, ingress protection rating: IP20, suitable for internal environment only, ceiling cut-out: 148mm, dimensions: 163x104mm, weight: 0.77kg.

Atouts techniques

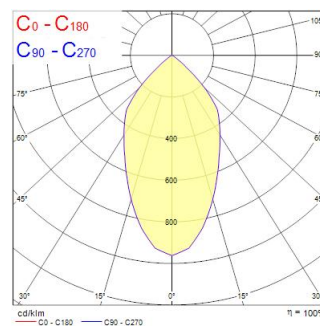
Dimensions (mm)



Photométrie

Distance [m]	Cone diameter [m]	E(0°)	E(C0)	E(C90)	Illuminance [lx]
0.5	0.55	5171	2638	2638	10390
1.0	1.09	2585	1319	1319	2748
1.5	1.64	1723	879	879	1221
2.0	2.18	1292	644	644	887
2.5	2.73	1037	515	515	440
3.0	3.27	848	412	412	305

Distance [m] Cone diameter [m] Illuminance [lx]
 — C0 - C180 (Half beam angle: 57.2°)



EXPOSPOT 90 CARDAN HE RA90 4000K WB WHITE

Code article 2070046

Concord

Données générales

Nom du produit	EXPOSPOT 90 CARDAN HE RA90 4000K WB WHITE
Technologie	LED
Housing	Aluminium
Montage	Ceiling recessed mounting
Fixture rating	Enclosed
General application	Hospitality, Museums & Galleries, Retail
Performance ambient temperature Tq (°C)	25
ETIM Class	EC001744
Warranty	5 ans

Données optiques

Fixture luminous flux (lm)	2855
Luminaire efficacy (lm/W)	102
LOR (%)	100
Température de couleur (K)	4000
Couleur de lumière	Neutral White
IRC (Ra)	90
Colour Variation Initial (SDCM)	SDCM3
Beam Angle (°)	57
Photobiological Risk Group	RG1

Caractéristiques électriques

Consommation électrique totale (W)	28
Lamp power factor	0.92
Electrical protection	Class II
Control gear required	No
Type d'appareillage	Electronic ballast
Montage de l'appareillage	Remote
Dimmable	No
Dimming method	N/A
Drive current (mA)	700
Courant d'appel (A)	19.4
Inrush Duration (µs)	250
Energy Efficiency Class (A->G) of contained light source	E
Nominal Frequency (Hz)	50/60Hz
Max. products per 10A C Breaker	21
Max. products per 13A C Breaker	28
Max. products per 16A C Breaker	35
Max. products per 20A C Breaker	45
Max. products per 10A B Breaker	13
Max. products per 13A B Breaker	17
Max. products per 16A B Breaker	21
Max. products per 20A B Breaker	27

Durée de vie

Lifespan L70 B50	100000
Lifespan L80 B20	100000
Lifespan L90 B10	54500

EXPOSPOT 90 CARDAN HE RA90 4000K WB WHITE

Code article 2070046

Concord

Données physiques

Housing colour	White
IP rating	IP20
IK rating	IK02
Largeur (mm)	163
Nominal Product Height (mm)	104
Nominal Product Diameter (mm)	163
Poids (kg)	0.77
Recessed Depth (mm)	104

Emballage

Product EAN number	5025768700462
Longueur simple de l'emballage (cm)	18.0
Largeur simple de l'emballage (cm)	18.0
Packaging single depth (cm)	16.0
DUN14 (inner)	05025768700462
Units per outer package	1
Packaging outer length / height (cm)	18.0
Packaging outer width (cm)	18.0
Packaging outer depth (cm)	16.0

Sécurité

Glow Wire Test (°C)	850
---------------------	-----