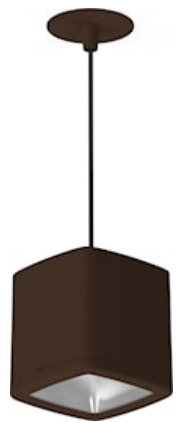


Inverto Pend Rmt WW Eb Rust

Code article 3080124

SYLVANIA

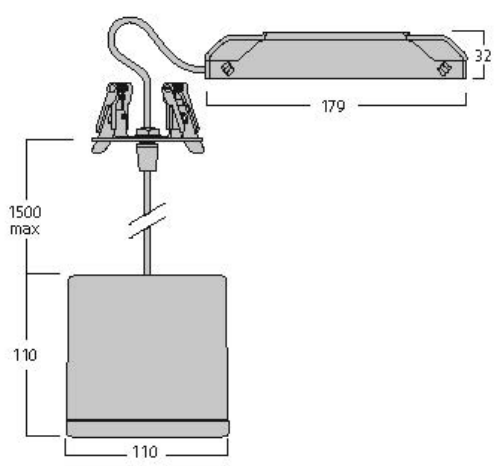
PROTM



Pendant luminaire with remote driver, wire to base with pluggable connection for easy installation, suitable for looping, switchable driver, rust coloured aluminium housing, 1,566lm, 16W, 98lm/W, 3000K, 350mA , CRI:80, 40° beam Angle, non-dimmable, IP20, IK07, lifespan: 60,000hrs (L80:B20), 18.50x29.6x11.5mm.

Atouts techniques

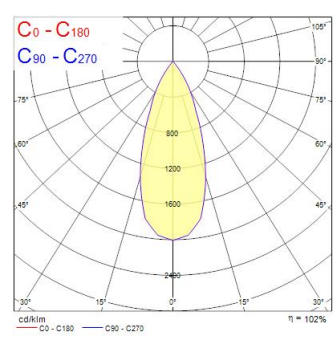
Dimensions (mm)



Photométrie

Distance [m]	Cone diameter [m]	E(0°) [lx]	E(C0) [lx]	E(C90) [lx]
0.5	0.36	1265	193°	803
1.0	0.72	314	193°	193
1.5	1.08	136	193°	84
2.0	1.44	76	193°	48
2.5	1.80	50	193°	33
3.0	2.16	34	193°	24

Distance [m] Cone diameter [m] Illuminance [lx]
 C0 - C180 (Half beam angle: 39.6°)



Inverto Pend Rmt WW Eb Rust

Code article 3080124

SYLVANIA

Données générales

Nom du produit	Inverto Pend Rmt WW Eb Rust
Technologie	LED
Cap/Base	N/A
Housing	Aluminium
Montage	Pendant surface
Environment	Internal
General application	Hospitality
Operating temperature range (°C)	-25°C...+25°C
Performance ambient temperature Tq (°C)	25
ETIM Class	EC001743
Warranty	5 ans

Données optiques

Fixture luminous flux (lm)	1566
Luminaire efficacy (lm/W)	98
LOR (%)	100
Température de couleur (K)	3000
Couleur de lumière	Warm White
IRC (Ra)	80
Colour Consistency (SDCM)	3
Chromaticité réglable	N
Beam Angle (°)	40
Photobiological Risk Group	RG1

Caractéristiques électriques

Consommation électrique totale (W)	16
Primary Supply/Product voltage - min (V)	220
Primary Supply/Product voltage - max (V)	240
Electrical protection	Class II
Type d'appareillage	Electronic ballast
Dimmable	No
Dimming method	N/A
Drive current (mA)	350
Courant d'appel (A)	45
Inrush Duration (µs)	20
Energy Efficiency Class (A->G) of contained light source	D
Nominal Frequency (Hz)	50/60Hz
Max. products per 10A C Breaker	50
Max. products per 16A C Breaker	80

Durée de vie

Lifespan L70 B50	60000
Lifespan L80 B20	60000
Lifespan L90 B10	56100

Données physiques

IP rating	IP20
IK rating	IK07
Diffuser finish	Transparent
Diffuser material	Glass
Longueur (mm)	110
Largeur (mm)	110
Nominal Product Height (mm)	110
Poids (kg)	1.429

Inverto Pend Rmt WW Eb Rust

Code article 3080124

SYLVANIA

Emballage

Product EAN number	8711971801245
Longueur simple de l'emballage (cm)	18.5
Largeur simple de l'emballage (cm)	29.6
Packaging single depth (cm)	11.5
DUN14 (inner)	08711971801245
Units per outer package	1
Packaging outer length / height (cm)	18.5
Packaging outer width (cm)	29.6
Packaging outer depth (cm)	11.5

Sécurité

Condition de fonctionnement optimal (° C)	-25-25
---	--------