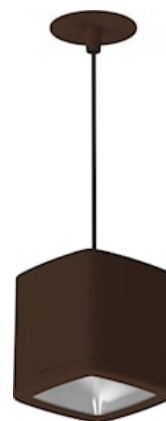


# Inverto Pend Rmt WW 1-10v Rust

Code article 3080128

**SYLVANIA**

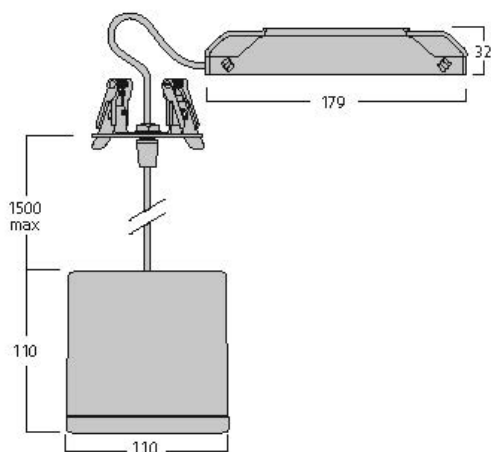
**PRO**<sup>TM</sup>



Pendant luminaire with remote driver, wire to base with pluggable connection for easy installation, suitable for looping, switchable driver, rust coloured aluminium housing, 1,566lm, 16W, 98lm/W, 3000K, 350mA , CRI:80, 40° beam Angle, 1-10V dimmable, IP20, IK07, lifespan: 60,000hrs (L80:B20), 18.50x29.6x11.5mm.

## Atouts techniques

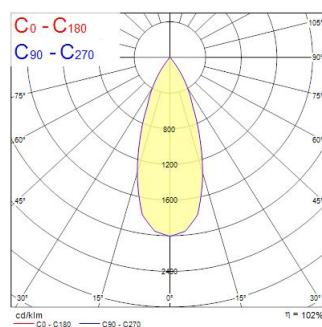
### Dimensions (mm)



### Photométrie

Distance [m]	Cone diameter [m]	E(0°) [lx]	E(C0°) [lx]	E(C90°) [lx]
0.5	0.36	1285	193°	803
1.0	0.72	314	193°	193
1.5	1.08	136	193°	84
2.0	1.44	78	193°	48
2.5	1.80	50	193°	33
3.0	2.16	34	193°	24

Distance [m] Cone diameter [m] Illuminance [lx]  
 C0 - C180 (Half beam angle: 39.6°)



# Inverto Pend Rmt WW 1-10v Rust

Code article 3080128

**SYLVANIA**

## Données générales

Nom du produit	Inverto Pend Rmt WW 1-10v Rust
Technologie	LED
Cap/Base	N/A
Housing	Aluminium
Montage	Pendant surface
Environment	Internal
General application	Hospitality
Operating temperature range (°C)	-25°C...+25°C
Performance ambient temperature Tq (°C)	25
ETIM Class	EC001743
Warranty	5 ans

## Données optiques

Fixture luminous flux (lm)	1566
Luminaire efficacy (lm/W)	98
LOR (%)	100
Température de couleur (K)	3000
Couleur de lumière	Warm White
IRC (Ra)	80
Colour Consistency (SDCM)	3
Chromaticité réglable	N
Beam Angle (°)	40
Photobiological Risk Group	RG1

## Caractéristiques électriques

Consommation électrique totale (W)	16
Primary Supply/Product voltage - min (V)	220
Primary Supply/Product voltage - max (V)	240
Electrical protection	Class II
Type d'appareillage	Electronic ballast
Dimmable	Yes
Dimming method	1-10V (Analogue)
Minimum dimming level (%)	5
Drive current (mA)	350
Courant d'appel (A)	45
Inrush Duration (µs)	20
Energy Efficiency Class (A->G) of contained light source	D
Nominal Frequency (Hz)	50/60Hz
Max. products per 10A C Breaker	50
Max. products per 16A C Breaker	80

## Durée de vie

Lifespan L70 B50	60000
Lifespan L80 B20	60000
Lifespan L90 B10	56100

## Données physiques

IP rating	IP20
IK rating	IK07
Diffuser finish	Transparent
Diffuser material	Glass
Longueur (mm)	110
Largeur (mm)	110
Nominal Product Height (mm)	110
Poids (kg)	1.429

# Inverto Pend Rmt WW 1-10v Rust

Code article 3080128

**SYLVANIA**

## Emballage

Product EAN number	8711971801283
Longueur simple de l'emballage (cm)	18.5
Largeur simple de l'emballage (cm)	29.6
Packaging single depth (cm)	11.5
DUN14 (inner)	08711971801283
Units per outer package	1
Packaging outer length / height (cm)	18.5
Packaging outer width (cm)	29.6
Packaging outer depth (cm)	11.5

## Sécurité

Condition de fonctionnement optimal (° C)	-25-25
---	--------