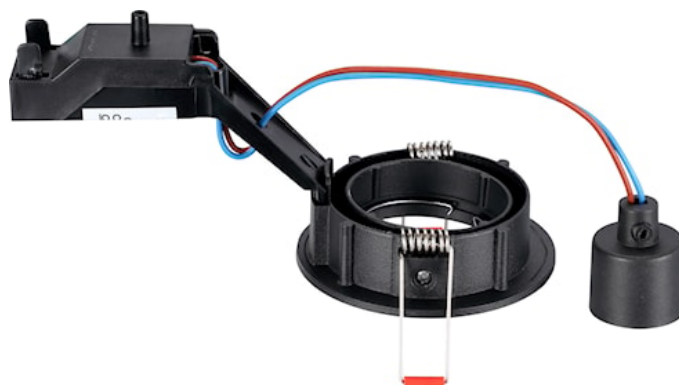


INSET TREND 75 SW BLK EX-LMP

Code article 3084101

SYLVANIA

PROTM

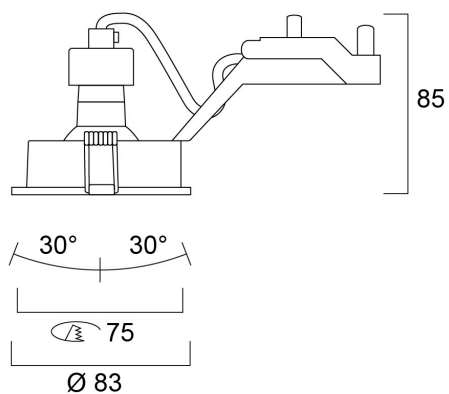


75mm cut out. 2 x 30° Tilt. Round bezel.

Atouts techniques

Dimensions (mm)

Photométrie



INSET TREND 75 SW BLK EX-LMP

Code article 3084101

SYLVANIA

Données générales

Nom du produit	INSET TREND 75 SW BLK EX-LMP
Technologie	Non - Electrical Device
Type of accessory	Other
Housing	Aluminium
Montage	Ceiling recessed mounting
Built in presence detector	NONE
Environment	Indoor
General application	Hospitality, Residential & Consumer
ETIM Class	N/A
Numéro virtuel FI	4225700
Warranty	3 ans

Données optiques

LOR (%)	Dependent on lamp
Colour Variation Initial (SDCM)	N/A
Chromaticité réglable	N
Photobiological Risk Group	Not applicable

Caractéristiques électriques

Primary Supply/Product voltage - min (V)	220
Primary Supply/Product voltage - max (V)	240
Electrical protection	Class II

Données physiques

Housing colour	RAL 9004 - Signal black
IP rating	IP23/20
IK rating	IK02
Diffuser finish	Other
Nominal Product Height (mm)	85
Nominal Product Diameter (mm)	83
Poids (kg)	0.25
Recessed Depth (mm)	100

Emballage

Product EAN number	8711971841012
Longueur simple de l'emballage (cm)	13.3
Largeur simple de l'emballage (cm)	10.1
Packaging single depth (cm)	7.0
DUN14 (inner)	08711971841012
Units per outer package	30
Packaging outer length / height (cm)	53.0
Packaging outer width (cm)	28.0
Packaging outer depth (cm)	23.0

Sécurité

Glow Wire Test (°C)	650
---------------------	-----