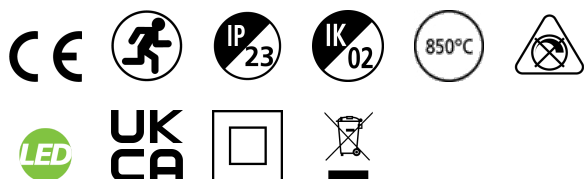


Insaver LED II 150 Low Output NW EB E3

Code article 3098109

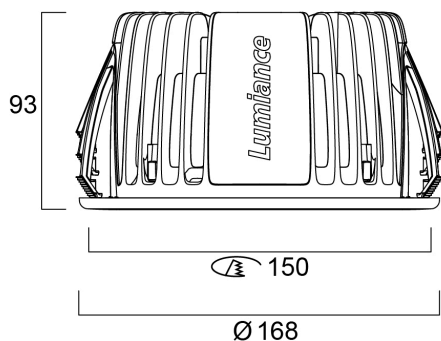
SYLVANIA



Circular LED downlight with up to 114lm/W efficacy and 2,400 luminaire lumen output. Innovative easy installation system allows for a rapid, single point installation. For 150mm cut outs. IP44 or UGR<19 compliant with additional accessories. 3 hour emergency and surface mounted versions available. Plus3 version includes Wieland GST connector.

Atouts techniques

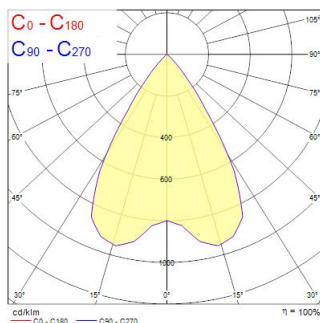
Dimensions (mm)



Photométrie

Distance [m]	Cone diameter [m]	Beam angle [°]	Beam angle [°]	Illuminance [lx]
0.5	0.64	50°	32.8°	5575
		50°	32.8°	1968
1.0	1.28	50°	32.8°	1394
		50°	32.8°	499
1.5	1.92	50°	32.8°	619
		50°	32.8°	223
2.0	2.56	50°	32.8°	346
		50°	32.8°	124
2.5	3.20	50°	32.8°	223
		50°	32.8°	80
3.0	3.84	50°	32.8°	166
		50°	32.8°	58

Distance [m] Cone diameter [m] Illuminance [lx]
 — C0 - C180 (Half beam angle: 66.2°)



Insaver LED II 150 Low Output NW EB E3

Code article 3098109

SYLVANIA

Données générales

Nom du produit	Insaver LED II 150 Low Output NW EB E3
Technologie	LED
Cap/Base	N/A
Housing	AGC (advanced graphite composite)
Montage	Ceiling recessed mounting
Environment	Internal
General application	Office
Operating temperature range (°C)	1°C...+25°C
Performance ambient temperature Tq (°C)	25
ETIM Class	EC001744
Warranty	5 ans

Données optiques

Fixture luminous flux (lm)	1940
Luminaire efficacy (lm/W)	114
LOR (%)	100
Température de couleur (K)	4000
IRC (Ra)	80
Colour Consistency (SDCM)	3
Chromaticité réglable	N
Beam Angle (°)	76
Distribution type	Symmetric
Glare control	< 19
Photobiological Risk Group	RG1

Caractéristiques électriques

Emergency mode	Maintained
Emergency duration (h)	3
Consommation électrique totale (W)	17
Primary Supply/Product voltage - min (V)	220
Primary Supply/Product voltage - max (V)	240
Electrical protection	Class II
Type d'appareillage	Electronic ballast
Dimmable	No
Dimming method	N/A
Drive current (mA)	700
Courant d'appel (A)	45
Inrush Duration (µs)	20
Energy Efficiency Class (A->G) of contained light source	C
Nominal Frequency (Hz)	50/60Hz
Max. products per 10A C Breaker	50
Max. products per 13A C Breaker	65
Max. products per 16A C Breaker	80
Max. products per 20A C Breaker	100
Max. products per 10A B Breaker	30
Max. products per 13A B Breaker	39
Max. products per 16A B Breaker	48
Max. products per 20A B Breaker	60

Durée de vie

Lifespan L70 B50	100000
Lifespan L80 B20	100000
Lifespan L90 B10	60000

Insaver LED II 150 Low Output NW EB E3

Code article 3098109

SYLVANIA

Données physiques

Housing colour	White
IP rating	IP23
IK rating	IK02
Finition réflecteur	High-gloss
Nominal Product Height (mm)	87
Nominal Product Diameter (mm)	169
Poids (kg)	1.372

Emballage

Product EAN number	8711971981091
Longueur simple de l'emballage (cm)	25.6
Largeur simple de l'emballage (cm)	25.5
Packaging single depth (cm)	16.3
DUN14 (inner)	08711971981091
Units per outer package	1
Packaging outer length / height (cm)	25.6
Packaging outer width (cm)	25.5
Packaging outer depth (cm)	16.3

Sécurité

Glow Wire Test (°C)	850
Condition de fonctionnement optimal (° C)	1-25