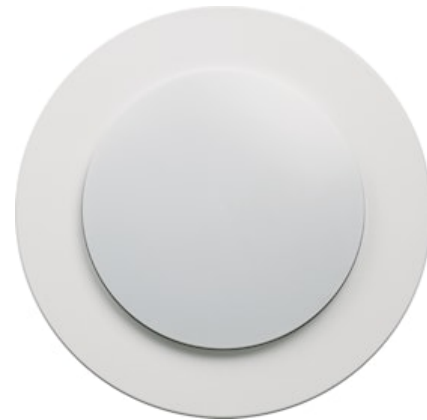


CASSINI PLANAR 400 IK10 1229LM 830 WHITE

Code article 4054888

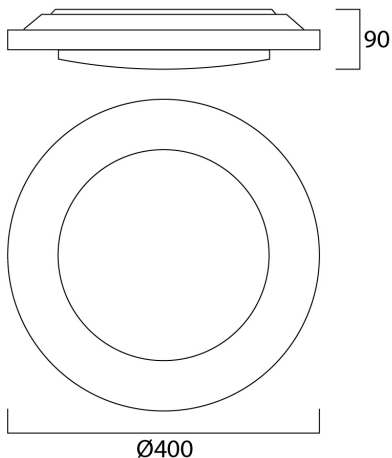
Concord



Ambient and decorative 400mm diameter LED bulkhead luminaire with halo backlight. Resistant to dust and water jet ingress, IP65, IK10, Class 1, 220-240V. 3000K, Switchable High Output or High efficiency mode, 644/1229 lm, 17 W, Drive current: 700mA, CRI 80

Atouts techniques

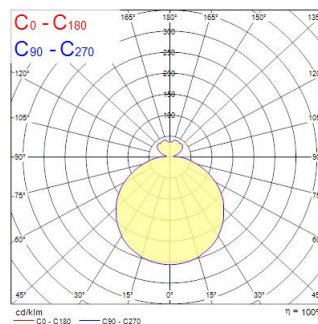
Dimensions (mm)



Photométrie

Distance [m]	Cone diameter [m]	Beam angle [°]	Beam angle [°]	Illuminance [lx]
0.5	1.71	50°	50°	1286
1.0	3.42	30°	30°	317
1.5	5.13	20°	20°	141
2.0	6.85	15°	15°	79
2.5	8.56	12°	12°	51
3.0	10.27	10°	10°	36

Distance [m] Cone diameter [m] Illuminance [lx]
C0 - C180 (Half beam angle: 119.4°)



CASSINI PLANAR 400 IK10 1229LM 830 WHITE

Code article 4054888

Concord

Données générales

Nom du produit	CASSINI PLANAR 400 IK10 1229LM 830 WHITE
Technologie	LED
Cap/Base	N/A
Environment	Indoor
General application	Hospitality
ETIM Class	EC002892
Warranty	5 ans

Données optiques

Fixture luminous flux (lm)	644/1229
LOR (%)	100
Température de couleur (K)	3000
Couleur de lumière	Warm White
IRC (Ra)	80
Photobiological Risk Group	RG0

Caractéristiques électriques

Consommation électrique totale (W)	17
Primary Supply/Product voltage - min (V)	230
Primary Supply/Product voltage - max (V)	240
Electrical protection	Class I
Drive current (mA)	700
Energy Efficiency Class (A->G) of contained light source	C
Nominal Frequency (Hz)	50/60Hz

Données physiques

Housing colour	White
IP rating	IP65
IK rating	IK10
Nominal Product Height (mm)	90
Nominal Product Diameter (mm)	400
Max. Lamp Diameter (mm) - D	400
Poids (kg)	1.1

Emballage

Product EAN number	5026524548885
Longueur simple de l'emballage (cm)	50.0
Largeur simple de l'emballage (cm)	50.0
Packaging single depth (cm)	20.0
DUN14 (inner)	05026524548885
Units per outer package	1
Packaging outer length / height (cm)	50.0
Packaging outer width (cm)	50.0
Packaging outer depth (cm)	20.0