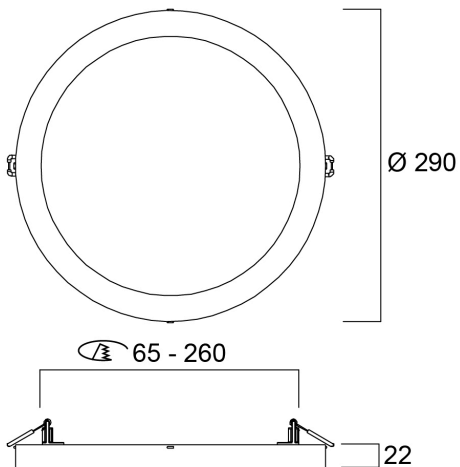
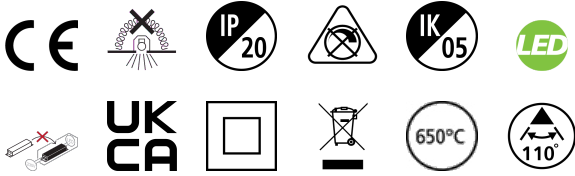


START



Distance [m]	Cone diameter [m]	Beam diameter [m]	Illuminance [lx]
0.5	1.55	1.55	2437
1.0	3.09	3.09	609
1.5	4.64	4.64	271
2.0	6.18	6.18	152
2.5	7.73	7.73	97
3.0	9.27	9.27	68

Distance [m] Cone diameter [m] Beam diameter [m] Illuminance [lx]
 — C0 - C180 (Half beam angle: 114.2°)

