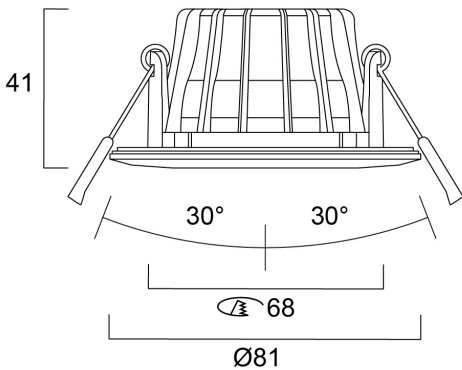
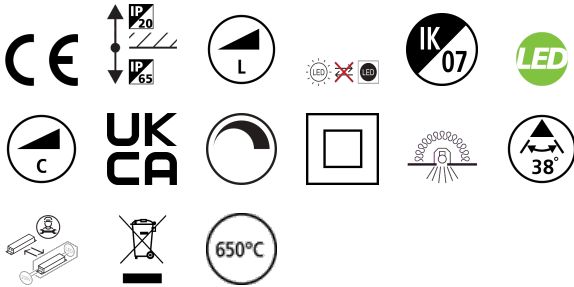


PRO



Distance [m]	Cone diameter [m]	Beam diameter [m]	Beam diameter [in]	Illuminance [lx]
0.5	0.36	Ø17	19.3"	2111
1.0	0.70	Ø34	19.3"	798
1.5	1.06	Ø51	19.3"	333
2.0	1.40	Ø68	19.3"	199
2.5	1.75	Ø85	19.3"	127
3.0	2.10	Ø102	19.3"	83

Distance [m] Cone diameter [m] Illuminance [lx]
 — C0 - C180 (half beam angle: 38.6°)

