

RefLED MR16 V5 345lm 827 36° SL

Item No: 0026611

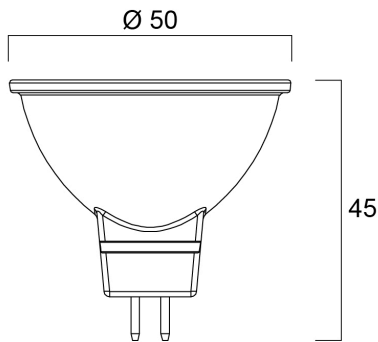
SYLVANIA



- Compact, energy efficient and exceptional value for money product.
- Same shape and size as halogen MR16 lamp
- Compact Cluster SMD technology enabling high efficiency with halogen look
- Reduced visible heat sink from the front
- Available in 36 degree
- High lumen efficacy
- 12V AC/DC
- 15,000 hours average rated life
- 3 years warranty

Technical Assets

Dimensions (mm)



Photometrics

RefLED MR16 V5 345lm 827 36° SL

Item No: 0026611

SYLVANIA

General data

Nome do produto	RefLED MR16 V5 345lm 827 36° SL
Tecnologia	LED
Watt (Rated) (W)	4.50
Casquilho	GU5.3
Luminária	Open
Aplicação geral	Hotelaria, Educação, Residential & Consumer
Performance ambient temperature Tq (°C)	25
ETIM	EC001959
E-number FI	4740454
Garantia	3 years

Optical data

Useful luminous flux (Φ_{use})	345
Temperatura de cor (K)	2700
Cor da luz	Homelight
CRI	80
Variação da cor (SDCM)	SDCM6
Colour Consistency (SDCM)	6
Luminous Intensity (cd)	800
Ângulo do feixe (°)	36
Lumen maintenance at end of nominal life (%)	70

Electrical data

Power consumption (W)	4.5
Potência	4.50
Starting time (max) (s)	< 0.5
Warm-up time to 60% of full light (max) (s)	< 1.0
Fator de potência	0.5
No. Of switching cycles before premature failures	>50000
Corrente de arranque (A)	2.70
Máx. dispositivos por disjuntor C de 10A	8
Máx. produtos por disjuntor C de 16A	12
Max. products per 20A C Breaker	16

Lifetime data

Vida média (horas)	15000
Average life (Rated) (h)	15000

Physical data

Comprimento nominal do produto (mm)	45
Nominal Product Diameter (mm)	50
Peso (kg)	0.026

RefLED MR16 V5 345lm 827 36° SL

Item No: 0026611

SYLVANIA

Packaging

Código EAN	5410288266114
Comprimento / altura da embalagem individual (cm)	5.5
Largura da embalagem individual (cm)	5.2
Profundidade da embalagem individual (cm)	5.2
DUN14 (inner)	15410288266111
Units per inner package	6
Packaging inner length / height (cm)	16.7
Packaging inner width (cm)	11.5
Packaging inner depth (cm)	6.5
DUN14 (outer)	25410288266118
Unidades por embalagem exterior	60
Comprimento / altura da embalagem exterior (cm)	59.0
Largura da embalagem exterior (cm)	18.2
Profundidade da embalagem exterior (cm)	15.5

Safety data

Breakage cleaning instructions	Not applicable
Special purpose lamp	No
Dry applications use only	Yes
Suitable for household illumination	Yes
Safety message	Not Suitable for totally enclosed fixtures